

ZS194MQ (NC450) 发动机

零件目录及图册 (V3.0)



PARTS-BREAKDOWN CATALOGUE FOR ZS194MQ ENGINE



ZS194MQ (NC450) 发动机 零件目录及图册签署页

编 制： _____

校 对： _____

审 核： _____

审 定： _____

批 准： _____



说 明

用户订购零件时请参考本册，若与实车不同之处，以实车为准。如欲知某零部件的名称、件号或装配关系，可按零部件的形状，在有关的插图中查找，可知其装配位置。然后按图上的序号在相应的表格中即可查到该零部件的名称、件号和数量。后续更改，不再通知。

FOREWORD

Please make reference to this book when you plan to purchase the parts. Any difference against the real motorcycle, please do as per the real. To get information concerning a certain component part, first locate, by its shape, the part in the illustration which show its fitting position, then find out the reference number of that part and look it up in the corresponding table where all informatung about the part are provided, such as the name, part number, quantity and/or its fitting relationship with other parts. Any modifications will not be informed ahead of time.





名称:NC450发动机零部件目录及图册

Doc.Title :PARTS-BREAKDOWN CATALOGUE FOR NC450 ENGIN

发动机名称: NC450

Doc.no(Model code):NC450

公司名称: 宗申

Brand Name :ZONGSHEN

Revision Number:

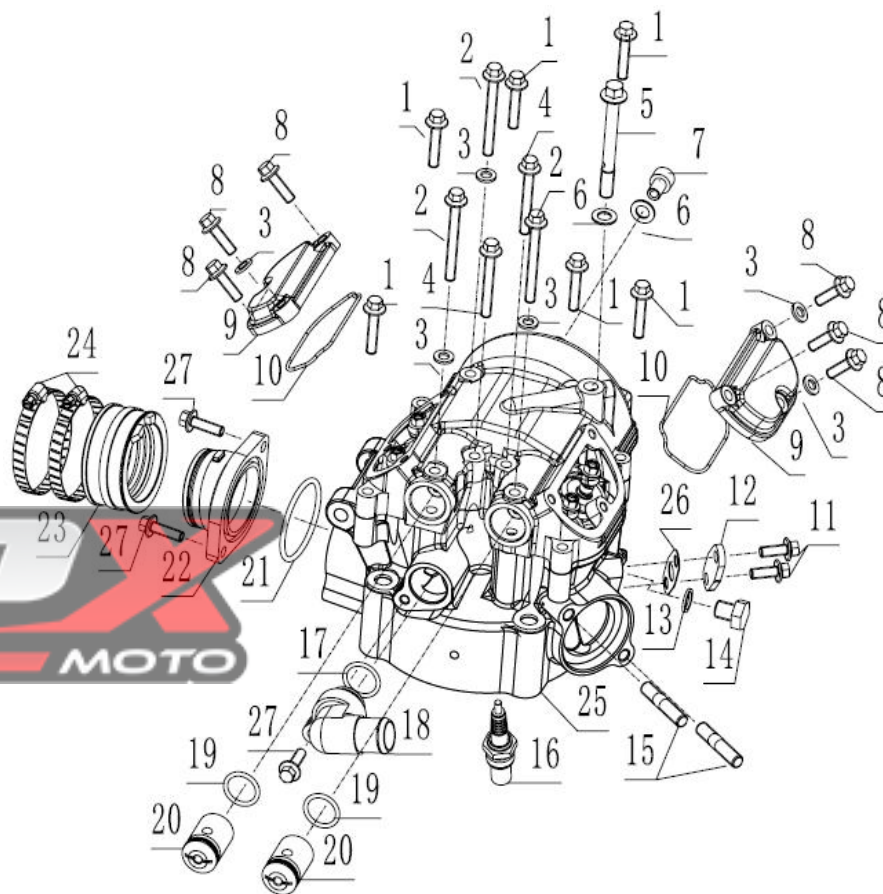
Date of Release:6.25.2018

Page :1 of 15

PAGE	中文名称	ENGLISH DESCRIPTION
1	气缸头部件	CYLINDER HEAD ASSY
2	气缸体部件	CYLINDER BLOCK ASSEMBLY
3	配气机构	VALVE MECHANISM
4	右曲轴箱盖	RIGHT CRANKCASE COVER
5	左曲轴箱盖	LEFT CRANKCASE COVER
6	离合器总成	CLUTCH ASSY
7	机油泵部件	OIL PUMP
8	左曲轴箱	LEFT CRANKCASE
9	右曲轴箱	RIGHT CRANKCASE
10	曲轴连杆部件/活塞	CRANKSHAFT CONNECTING-ROD ASSY/PISTON
11	主副轴组合	TRANSMISSION MAIN,COUNTER SHAFT
12	变速机构	GEARSHIFT MECHANISM
13	磁电机总成	MAGNETO COMP
14	电启动机构	ELECTRIC STARTING MECHANI
15	启动轴总成	KICK STARTING SHAFT ASSEMBLY
16		
17		
18		

气缸头部件 CYLINDER HEAD ASSY

序号 NO.	编码 (PART CODE)	中文名称 (CHINESE DESCRIPTION)	英文名称 (ENGLISH DESCRIPTION)	数量 QTY	备注 REMARK
1	100033114-0002	GB16674小盘螺栓M6×30(兰白锌) 10.9级 35CrMo_P	Bolt, M6×30	0	
2	100033121-0006	GB16674小盘螺栓M6×55(兰白锌) 35CrMo_P	Bolt, M6×55	0	
3	100106566	平垫圈(φ6.5×1.5×φ12)	Washer, φ6.5×1.5×φ12	0	
4	100033120-0001	GB16674小盘螺栓M6×45(兰白锌) 35CrMo_P	Bolt, M6×45	0	
5	100087793-0001	NC450缸头盖油道螺栓M8×70(兰白锌)	Bolt, M8×70	0	
6	100106575	平垫圈(φ8.5×1.2×φ15)	Washer, φ8.5×1.2×φ15	0	
7	100032843-0004	GB70.1螺栓M8×12(兰白锌)	Bolt, M8×12	0	
8	100033108-0002	GB16674小盘螺栓M6×20(兰白锌) 35CrMo_P	Bolt, M6×20	0	
9	100102873-0001	NC450气门室盖(抛丸钝化)	Cover Valve Chamber	0	
10	100104529	NC450气门室盖异形圈	Ring	0	
11	100055589-0006	GB16674小盘螺栓M6×16(兰白锌)	Bolt, M6×16	0	
12	100105429	CG125D二次进气口盖板	Intake Cover Board	0	
13	100106546	平垫圈(φ10.5×1.5×φ14)	Washer, φ10.5×1.5×φ14	0	
14	100204649-0001	AX100放油螺塞M10×1.25(兰白锌)	Oil Drain Plug	0	
15	100100439-0002	CG125D缸头排气口双头螺栓M8×40(6# 兰白锌)	Bolt, M8×40	0	
16	100081435	NC450火花塞部件(TORCH D8RTIP)	Spark Plug	0	
17	100107697	O型圈(φ19×2.4 氟硅胶)	O-Ring, φ19×2.4	0	
18	100105671	NC450缸头出水管接头	Water Pipe Fitting	0	
19	100107691	O型圈(φ18×2.5 氟橡胶)	O-Ring, φ18×2.5	0	
20	100105202	NC450摇臂轴轴套	Shaft Sleeve of Shaft Rocker Arm	0	
21	100107782	O型圈(φ45×3 氟橡胶)	O-Ring, φ45×3	0	
22	100105356	NC450进气管(JQ-1B)	Inlet Pipe	1	
23	100105372	NC450进气管连接管	Connecting Pipe	1	
24	100105385	LY350进气管卡箍组件	Clamp Inlet Pipe	0	
25	100104467-0001	NC450气缸头组合(M8 抛丸钝化)	Cylinder Head Assy	0	
26	100104640	PW70废气循环铁管纸垫	Paper Gasket	0	
27	100055588-0006	GB16674小盘螺栓M6×20(兰白锌)	Bolt, M6×20	0	
28					
29					
30					
31					
32					
33					
34					
35					
36					
37					
38					
39					
40					
41					
42					
43					
44					
45					

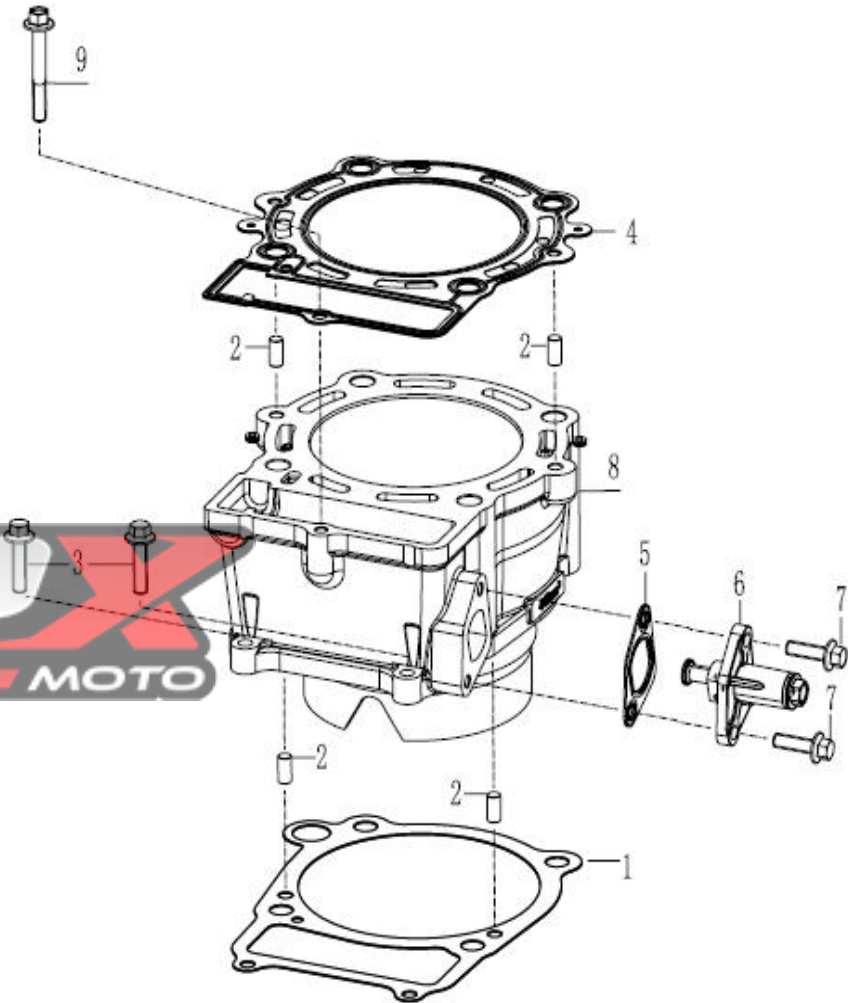


气缸头部件 CYLINDER HEAD ASSY



气缸体部件 CYLINDER ASSEMBLY

序号 NO.	编码 (PART CODE)	中文名称 (CHINESE DESCRIPTION)	英文名称 (ENGLISH DESCRIPTION)	数量 QTY	备注 REMARK
1	100078732	NC450气缸体密封垫(厚1.0 不含石棉)	Gasket Cylinder Block	0	
2	100108526	圆柱销φ6×12	Pin, φ6×12	0	
3	100033110-0002	GB16674小盘螺栓M6×25(兰白锌) 35CrMo_P	Bolt, M6×25	0	
4	100104636	NC450气缸头密封垫组合(金属)	Gasket Assy Cylinder Head	0	
5	100108520	HIPER50张紧器密封垫	Gasket Tensioner	0	
6	100105242-0002	NC250张紧器组合(抛丸钝化)	Chain Tensioning Wheel	0	
7	100055588-0006	GB16674小盘螺栓M6×20(兰白锌)	Bolt, M6×20	0	
8	100104404-0001	NC450气缸体部件(缸标449 抛丸钝化)	Cylinder Block Assembly	0	
9	100033120-0001	GB16674小盘螺栓M6×45(兰白锌) 35CrMo_P	Bolt, M6×45	0	
10					
11					
12					
13					
14					
15					
16					
17					
18					
19					
20					
21					
22					
23					
24					
25					
26					
27					
28					
29					
30					
31					
32					
33					
34					
35					
36					
37					
38					
39					
40					
41					
42					
43					
44					
45					

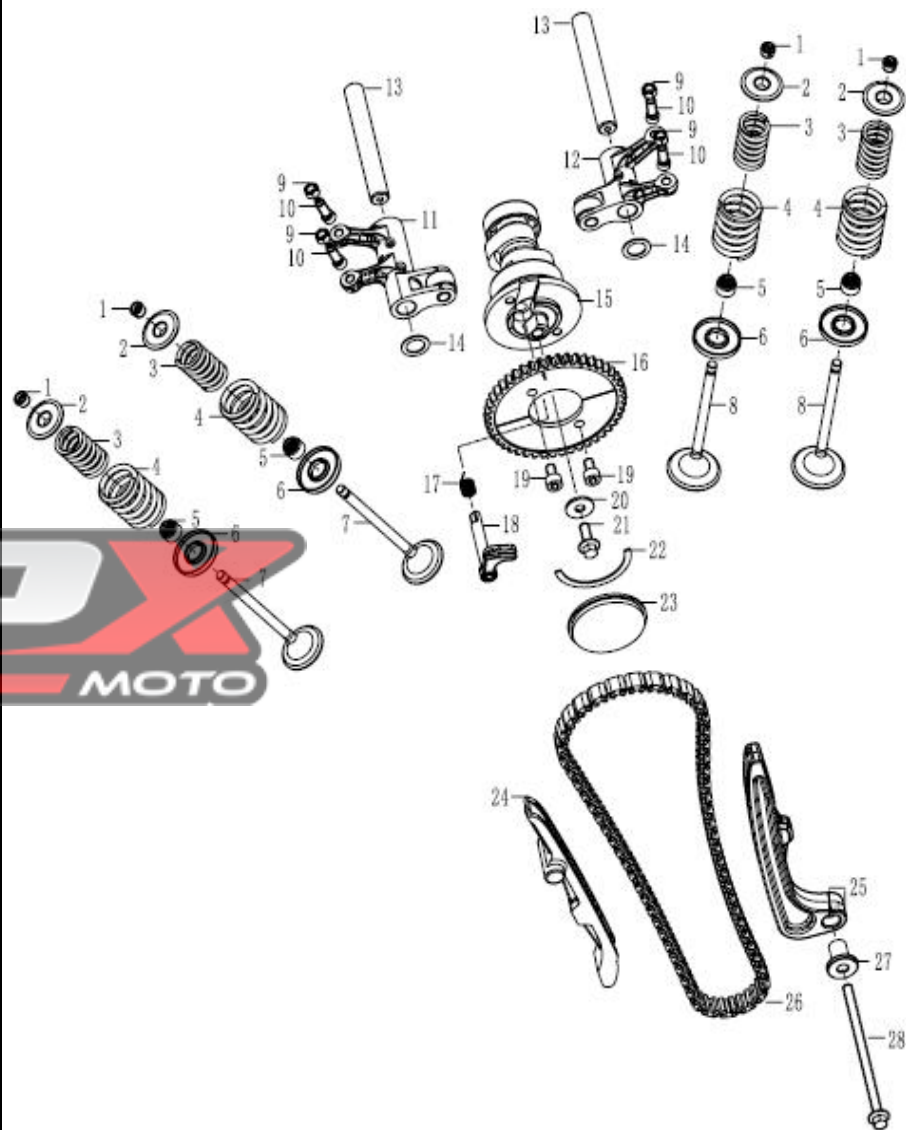


气缸体部件 CYLINDER ASSEMBLY



配气机构 VALVE MECHANISM

序号 NO.	编码 (PART CODE)	中文名称 (CHINESE DESCRIPTION)	英文名称 (ENGLISH DESCRIPTION)	数量 QTY	备注 REMARK
1	100105323	LY200气门锁夹	Valve Locker	0	
2	100083714	NC450气门弹簧座(上)	SpRing, Seat	0	
3	100073909	NC450气门内弹簧	Valve Inner Spring	0	
4	100054065	NC450气门外弹簧	Valve Outer Spring	0	
5	100105339	LY200挡油罩组合(2#)	Seal Valve Stem	0	
6	100083713	NC450气门弹簧座(下)	Outer Valve Spring Retainer	0	
7	100105285	NC450排气门	Exhaust Valve	0	
8	100105274	NC450进气门	Intake Valve	0	
9	100105155	HIPER50气门间隙调节螺母	Nut Valve Clearance	0	
10	100105166	HIPER50气门间隙调节螺钉	Screw, Valve Clearance	0	
11	100105188	NC450气门摇臂组合(排气)	Rocker Arm Assembly Valve	0	
12	100105187	NC450气门摇臂组合(进气)	Rocker Arm Assembly Valve	0	
13	100105154	NC450气门摇臂轴	Rocker Shaft	0	
14	100106396	平垫圈(φ12.1×1×φ18)	Washer, φ12.1×1×φ18	0	
15	100104969	NC450凸轮轴部件	Gamp Shaft Comp	0	
16	100069691	NC450正时从动链轮	Timing Driven Sprocket	0	
17	100061588	NC450减压阀复位扭簧	Decompression Spring, Of Camshaft	0	
18	100059478	NC450凸轮轴减压阀甩块组合	Centrifugal Mass Ass	0	
19	100010835-0001	GB70.1螺栓M6×10(兰白锌)	Bolt, M6×10	0	
20	100106379	平垫圈(φ6.5×1.5×φ18 磷化)	Washer, φ6.5×1.5×φ18	0	
21	100055589-0006	GB16674小盘螺栓M6×16(兰白锌)	Bolt, M6×16	0	
22	100059951	NC450凸轮轴挡板	Stop Plate, Camshaft	0	
23	100102895	NC450缸头密封胶套	Seal Collard Of Cylinder Head	0	
24	100105229	NC450链条导向板组合	Guide Plate Chain	0	
25	100105216	NC450链条张紧板组合	Tension Plate Assy	0	
26	100070093	NC450正时链条组合(9×118_齿形链 DID)	Sproket Chain	0	
27	100105211	NC450张紧板衬套	Bush	0	
28	100033090-0004	GB16674小盘螺栓M6×105(兰白锌)	Bolt, M6×105	0	
29					
30					
31					
32					
33					
34					
35					
36					
37					
38					
39					
40					
41					
42					
43					
44					
45					

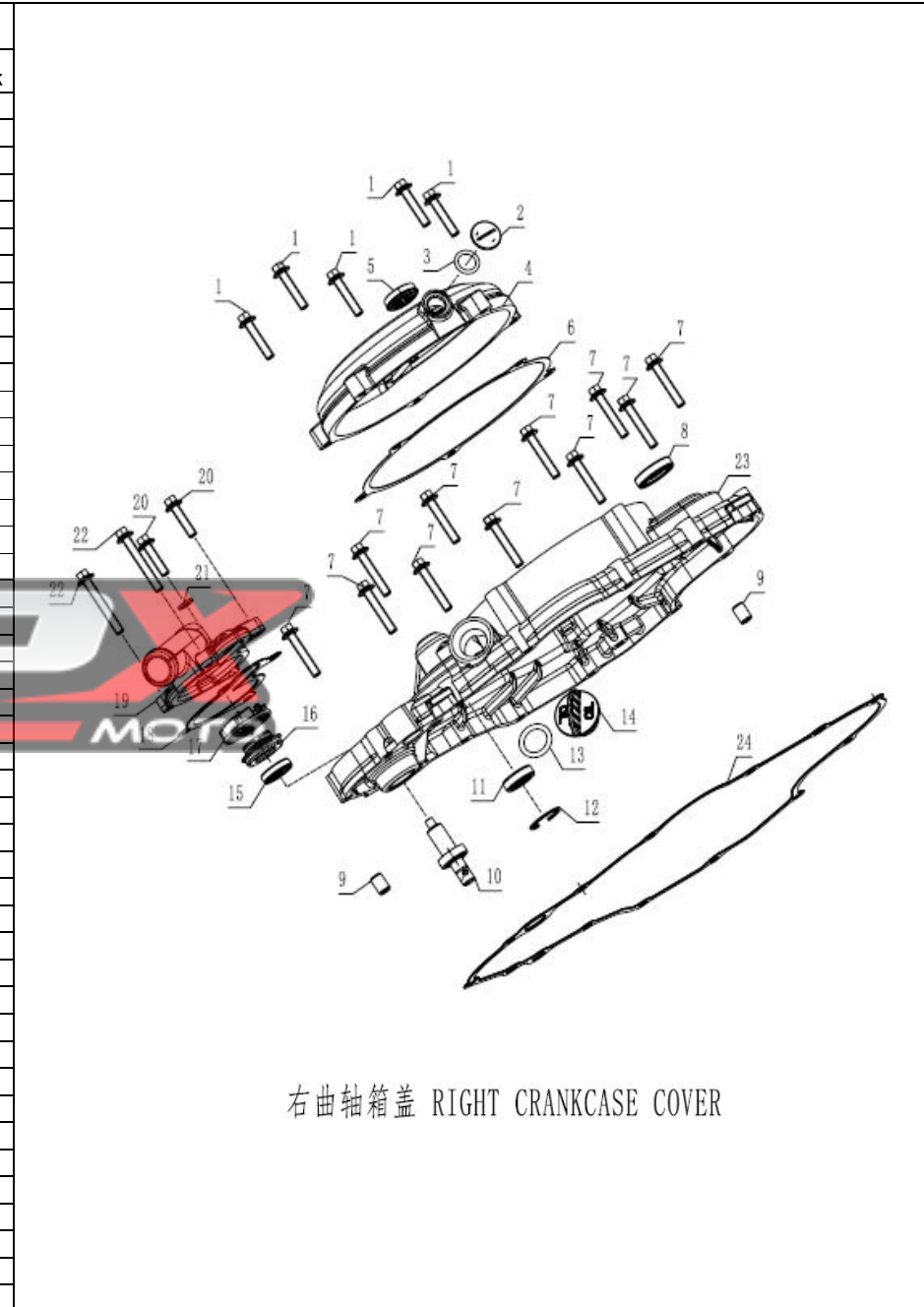


配气机构 VALVE MECHANISM



右曲轴箱盖 RIGHT CRANKCASE COVER

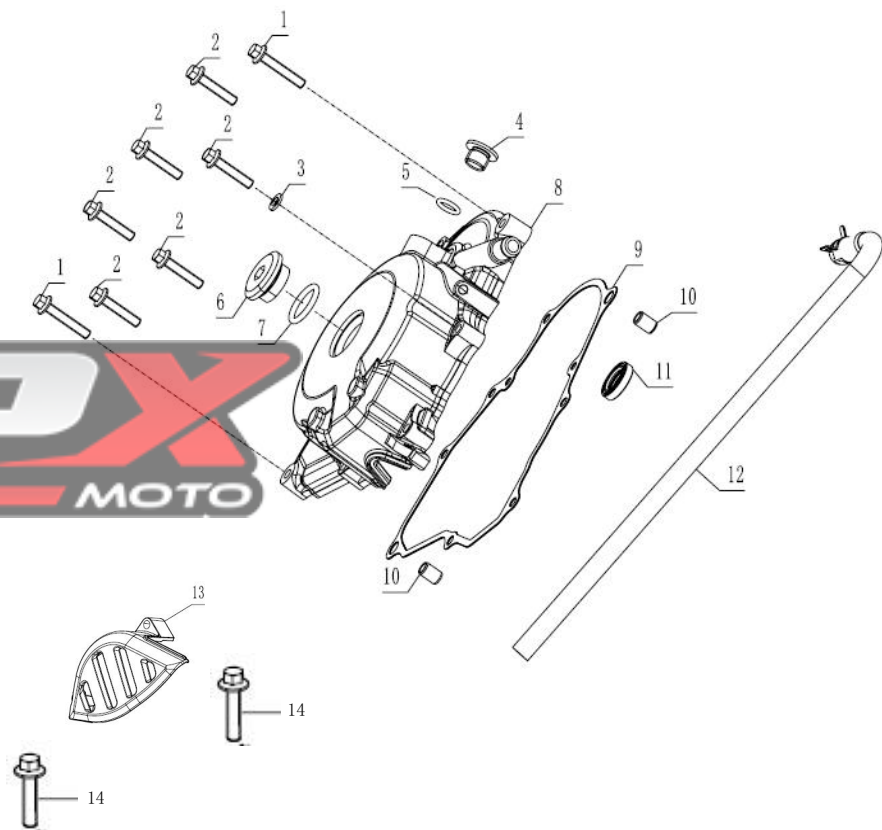
序号 NO.	编码 (PART CODE)	中文名称 (CHINESE DESCRIPTION)	英文名称 (ENGLISH DESCRIPTION)	数量 QTY	备注 REMARK
1	100011536-0002	GB16674小盘螺栓M6×30(兰白锌)	Bolt, M6×30	0	
2	100103059-0003	C100小视孔盖(抛丸钝化)	Cap Small View Hole	0	
3	100010118	O型密封圈(φ13.2×2.65 氟橡胶)	O-Ring, φ13.2×2.65	0	
4	100101318-0003	NC450右装饰盖(白板_抛丸钝化)	Decorate Cover R.Crankcase Cover	0	
5	100101321	NC250机油观察窗	Oil Lelve Sight Window	0	
6	100104615	NC250右装饰盖密封垫(发泡金属橡胶复合板)	Gasket Decorate Cover	0	
7	100011537-0002	GB16674小盘螺栓M6×35(兰白锌)	Bolt, M6×35	0	
8	100104744	NC250启动轴油封(18×30×7 氟橡胶)	Oil Seal 18×30×7	0	
9	100102726	定位销φ9×13	Dowel Pin, φ9×13	0	
10	100069942	NC450水泵轴组合(2#)	Shaft Water Pump Ass.	0	
11	100104688	NC250曲轴油封(14×24×7_TCV型_氟橡胶)	Oil Seal 14×24×7	0	
12	100011077	GB893.1挡圈24	Retaining Ring, 24	0	
13	100107693	O型圈18×3.55(氟橡胶)	O-Ring, φ18×3.55	0	
14	100071971	NC250机油塞组合(带1500ml标识_黑色)	Oil Plug Assy	0	
15	100104809	NC250水泵轴油封(12×24×6 氟橡胶)	Oil Seal 12×24×6	0	
16	100105543	NC450机械水封组件	Water Pump Seal	0	
17	100066800	NC450水泵叶轮	Ane Wheel Water Pump	0	
18	100069962	NC450水泵盖密封垫(发泡金属橡胶复合板)	Gasket	0	
19	100067393-0002	NC450水泵盖(抛丸钝化)	Water Pump Cover	0	
20	100011534-0002	GB16674小盘螺栓M6×25(兰白锌)	Bolt, M6×25	0	
21	100106566	平垫圈(φ6.5×1.5×φ12)	Washer, φ6.5×1.5×φ12	0	
22	100011539-0001	GB16674小盘螺栓M6×45(兰白锌)	Bolt, M6×45	0	
23	100101309-0003	NC450右盖组合(普通款_白板_抛丸钝化)	Cover Comp Right Crankcase	0	
24	100104577	NC450右曲轴箱盖密封垫(发泡金属橡胶复合板)	Gasket R.Crankcase Cover	0	
25					
26					
27					
28					
29					
30					
31					
32					
33					
34					
35					
36					
37					
38					
39					
40					
41					
42					
43					
44					
45					





左曲轴箱盖 LEFT CRANKCASE COVER

序号 NO.	编码 (PART CODE)	中文名称 (CHINESE DESCRIPTION)	英文名称 (ENGLISH DESCRIPTION)	数量 QTY	备注 REMARK
1	100011537-0002	GB16674小盘螺栓M6×35(兰白锌)	Bolt, M6×35	0	
2	100011536-0002	GB16674小盘螺栓M6×30(兰白锌)	Bolt, M6×30	0	
3	100106566	平垫圈(φ6.5×1.5×φ12)	Washer, φ6.5×1.5×φ12	0	
4	100105195	NC250摇臂轴定位螺栓M14×1	Bolt	0	
5	100107654	O型圈(φ11.8×2.6 氟橡胶)	O-Ring, φ11.8×2.6	0	
6	100103063-0002	ZS96大视孔盖(抛丸钝化)	Cap Big View Hole	0	
7	100107715	O型圈(φ22.5×3.55 氟橡胶)	O-Ring, φ22.5×3.55	0	
8	100102799-0003	NC450左盖组合(普通款_白板_抛丸钝化)	Front Part, L. Crankcase Cover	0	
9	100104579	NC450左边盖密封垫(发泡金属橡胶复合板)	Gasket Cylinder Head Upper Cover	0	
10	100102726	定位销φ9×13	Dowel Pin, φ9×13	0	
11	100104662	LY350换挡臂油封(14×26×6 氟橡胶)	Oil Seal 14×26×6	0	
12	100102977	CG125D通气管组件(1#_卡箍1个_复合层材料)	Pipe Assy	0	
13	100103122	NC250左后盖(NC250-1#_塑料_黑色)	Back Part, L. Crankcase Cover	0	
14	100011536-0002	GB16674小盘螺栓M6×30(兰白锌)	Bolt, M6×30	0	
15					
16					
17					
18					
19					
20					
21					
22					
23					
24					
25					
26					
27					
28					
29					
30					
31					
32					
33					
34					
35					
36					
37					
38					
39					
40					
41					
42					
43					
44					
45					

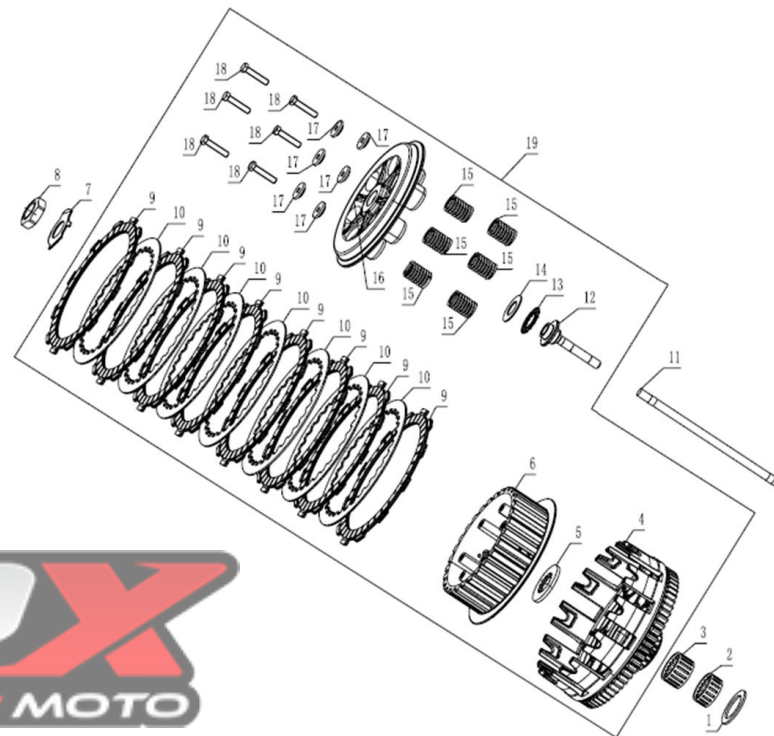


右曲轴箱盖 RIGHT CRANKCASE COVER



离合器总成 CLUTCH ASSY

序号 NO.	编码 (PART CODE)	中文名称 (CHINESE DESCRIPTION)	英文名称 (ENGLISH DESCRIPTION)	数量 QTY	备注 REMARK
1	100106487	平垫圈(φ25×1.8×φ36)	Washer, φ25×1.8×φ36	0	
2	100101018	轴承(K25×29×13 滚针)	Needle Bearing, (K25×29×13)	0	
3	100101254	轴承(K25×29×17 滚针)	Needle Bearing, (K25×29×17)	0	
4	100107925	NC450离合器外罩组合(氢化丁腈)	Out Case Assembly Clutch	0	
5	100107885	NC450离合器花键垫圈	Washer	0	
6	100107895	NC450离合器中心套	Center Sleeve Clutch	0	
7	100059394	NC250主动齿止推垫圈(2#)	Stop Washer	0	
8	100059392	NC250主动齿锁紧螺母M18×1(2#)	Nut M18	0	
9	100203053	NC250离合器主动摩擦片(富士)	Drive Friction Disk	0	
10	100107972	NC450离合器从动摩擦片	Outer Friction Disk A	0	
11	100103437	NC250离合器推杆	Pushing Rod Clutch	0	
12	100107977	NC450离合器顶杆	Rod Clutch Push	0	
13	100101204	离合器止推轴承AXK1528	BeaRing, (Axk1528)	0	
14	100106415	平垫圈φ15×1×φ28	Washer, φ15×1×φ28	0	
15	100103395	NC250离合器弹簧	SpRing, Clutch	0	
16	100103378	NC250离合器压盘	Pressure Plate Clutch	0	
17	100202986	NC250离合器弹簧座(凸台2)	Clutch Disengage SpRing, Seat	0	
18	100033034-0001	GB5783螺栓M5×25(磷化) 10.9级	Bolt, M5×25	0	
19	100064962	NC450离合器总成(2# 富士摩擦片 氢化丁腈缓冲套 弹簧座凸台2)	Clutch Assy	0	
20					
21					
22					
23					
24					
25					
26					
27					
28					
29					
30					
31					
32					
33					
34					
35					
36					
37					
38					
39					
40					
41					
42					
43					
44					
45					



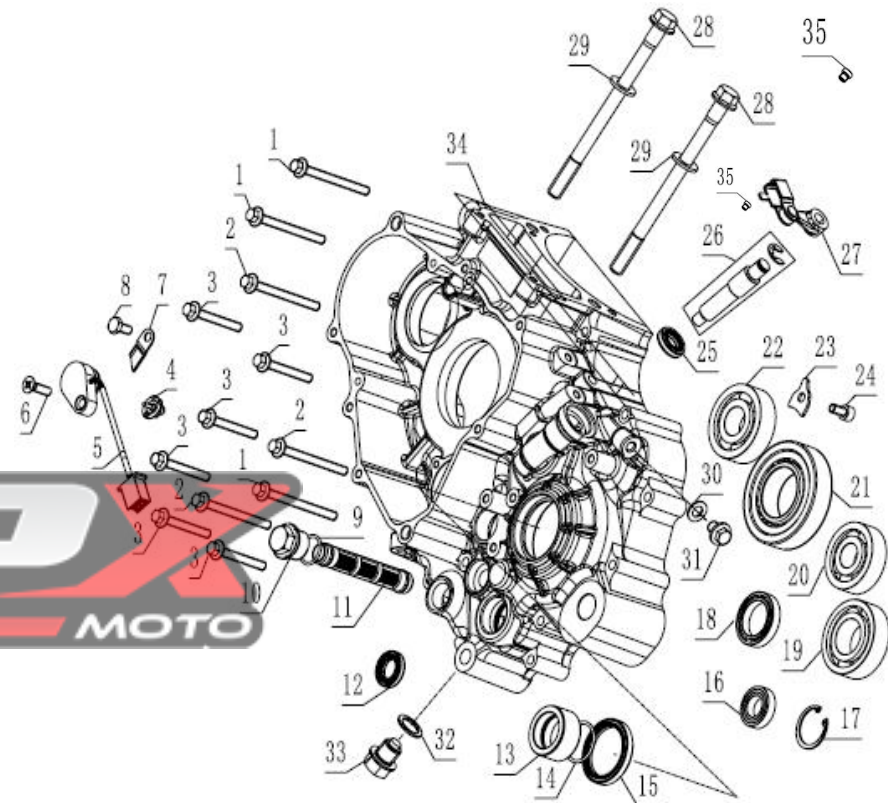
离合器总成 CLUTCH ASSY





左曲轴箱 LEFT CRANKCASE

序号 NO.	编码 (PART CODE)	中文名称 (CHINESE DESCRIPTION)	英文名称 (ENGLISH DESCRIPTION)	数量 QTY	备注 REMARK
1	100071619-0001	GB16674.1小盘螺栓M6×70(兰白锌_35CrMo)_10.9级	Bolt, M6×70	0	
2	100071434-0001	GB16674.1小盘螺栓M6×65(兰白锌_35CrMo)_10.9级	Bolt, M6×65	0	
3	100033120-0001	GB16674小盘螺栓M6×45(兰白锌_35CrMo)_P	Bolt, M6×45	0	
4	100104487	CG125D档显动触头(2#)	Contact Gearindication	0	
5	100104494-0001	NC250六档档显线束(六档国际_接口6G-D99_L:550)	Gearshift Switch Comp	0	
6	100010979-0003	GB819.2螺钉M6×20(兰白锌)	Screw, M6×20	0	
7	100102900	CB125脚踏挡线片(2#)	Position Plate	0	
8	100011171-0002	GB5783螺栓M6×12(兰白锌)	Bolt, M6×12	0	
9	100107684	O型圈(φ17.5×1.8_氟橡胶)	O-Ring, φ17.5×1.8	0	
10	100104918-0001	NC250机油滤网盖(黑锌)	Cover Oil Filter Screen	0	
11	100060838	NC250机油滤网组合(2#_带O型密封圈)	Strainer Oil Filter	0	
12	100104830	LY350倒档变速鼓油封(15×25×5_氟橡胶)	Oil Seal 15×25×5	0	
13	100103518	NC450输出轴轴套	Bush	0	
14	100107725	O型圈(φ25×2_氟橡胶)	O-Ring, φ25×2	0	
15	100104814	LY350输出轴油封(35×45×6_氟橡胶)	Oil Seal 35×45×6	0	
16	100010771	轴承(61902-2Z)	Bearing, 61902	0	
17	100011078	GB893.1挡圈28	Retaining Ring, 28	0	
18	100100927	轴承(61805)	BearRing, (61805)	0	
19	100129052	轴承(NJ205EM_C3_人本)	BearRing, (NJ205)	0	
20	100300748	轴承(6303RS_C3)	BearRing, (6303RS_C3)	0	
21	100070092	轴承(NJ207EM_C3)	BearRing, (NJ207)	0	
22	100100999	轴承(6304_东培)	BearRing, (6304)	0	
23	100068013	NC250轴承挡板	Baffle	0	
24	100010836-0006	GB70.1螺栓M6×12(兰白锌)	Bolt, M6×12	0	
25	100104747	CG125D档显油封(14×22×5_丙烯酸酯)	Oil Seal 14×22×5	0	
26	100054535-0001	NC450离合器分离杆(兰白锌)	Clutch Separating Rod	0	
27	100106275-0002	NC250离合器分离杆摇臂(兰白锌)	Rocker Arm Release Lever Clutch	0	
28	100100282	NC450气缸双头螺栓AB(M10×143)	Cylinder Stud Bolt A	0	
29	100106393	平垫圈(φ10.5×2×φ20_磷化)	Washer, φ10.5×2×φ20	0	
30	100106575	平垫圈(φ8.5×1.2×φ15)	Washer, φ8.5×1.2×φ15	0	
31	100032843-0004	GB70.1螺栓M8×12(兰白锌)	Bolt, M8×12	0	
32	100106556	平垫圈(φ16.5×2×φ23)	Washer, φ16.5×2×φ23	0	
33	100050705-0002	NC450放油螺塞M16×1.5(兰白锌)	Drain Bolt	0	
34	100069936-0002	NC450左曲轴箱组合(2#_曲轴轴承孔带嵌件_抛丸钝化)	Left Crankcase Block	0	
35	100100726	NC250机油喷嘴	Oil Nozzle	0	
36					
37					
38					
39					
40					
41					
42					
43					
44					
45					

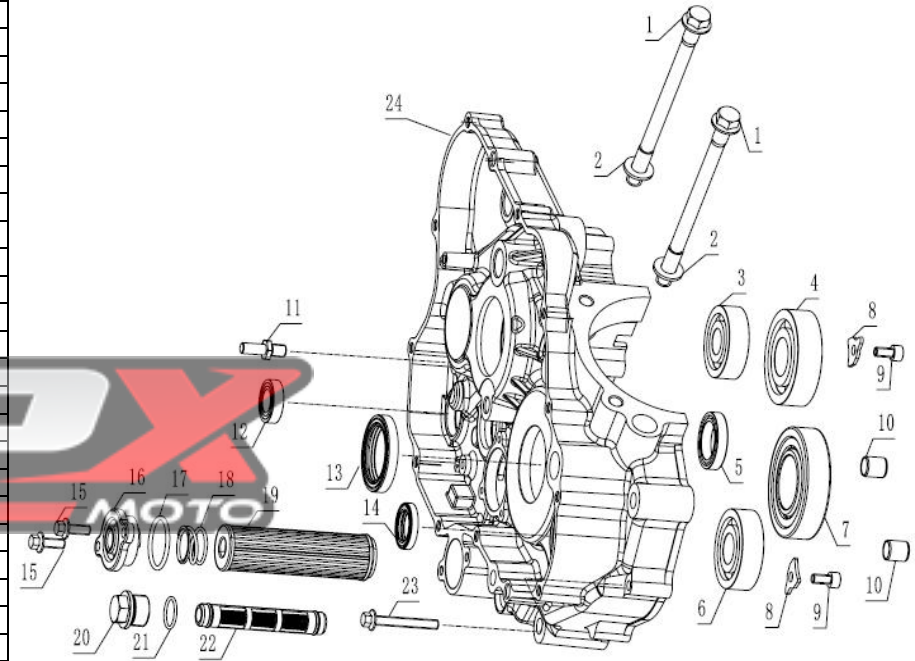


左曲轴箱 LEFT CRANKCASE



右曲轴箱 RIGHT CRANKCASE

序号 NO.	编码 (PART CODE)	中文名称 (CHINESE DESCRIPTION)	英文名称 (ENGLISH DESCRIPTION)	数量 QTY	备注 REMARK
1	100100282	NC450气缸双头螺栓AB (M10×143)	Cylinder Stud Bolt A	0	
2	100106393	平垫圈 (φ10.5×2×φ20 磷化)	Washer, φ10.5×2×φ20 磷化	0	
3	100300748	轴承 (6303RS C3)	BearRing, (6303RS_C3)	0	
4	100101252	轴承 (6305 P5)	BearRing, (6305_P5)	0	
5	100100927	轴承 (61805)	BearRing, (61805)	0	
6	100100999	轴承 (6304 东培)	BearRing, (6304)	0	
7	100070092	轴承 (NJ207EM C3)	BearRing, (Nj207)	0	
8	100068013	NC250轴承挡板	Baffle	0	
9	100010836-0006	GB70.1螺栓M6×12 (兰白锌)	Bolt, M6×12	0	
10	100108525	定位销φ13×14	Dowel Pin, φ13×14	0	
11	100100398	NC250变档臂定位螺栓	Bolt Return Springs Fixing	0	
12	100010771	轴承 (61902-2Z)	Bearing, 61902	0	
13	100104689	NC250右曲轴油封 (35×50×7 丙烯酸酯)	Oil Seal 35×50×7	0	
14	100062066	C135曲轴油封20×30×5 (氟橡胶)	Oil Seal 20×30×5	0	
15	100055589-0006	GB16674小盘螺栓M6×16 (兰白锌)	Bolt, M6×16	0	
16	100063279-0003	NC250机油精滤器盖 (2# 抛丸钝化)	Cap Oil Filter	0	
17	100107754	O型圈 (φ30×2.6 氟橡胶)	O-Ring, φ30×2.6	10	
18	100100017	NC250倒档精滤器弹簧	SpRing, Oil Fine Filter	0	
19	100104863	NC250倒档机油精滤器部件	Oil Filter	15	
20	100104918-0001	NC250机油滤网盖 (黑锌)	Cover Oil Filter Screen	0	
21	100107684	O型圈 (φ17.5×1.8 氟橡胶)	O-Ring, φ17.5×1.8	10	
22	100060838	NC250机油滤网组合 (2# 带O型密封圈)	Strainer Oil Filter	0	
23	100033118-0007	GB16674小盘螺栓M6×40 (兰白锌) 35CrMo_P	Bolt, M6×40	0	
24	100069938-0002	NC450右曲轴箱组合 (2# 曲轴轴承孔带嵌件 抛丸钝化)	Right Crankcase Block	0	
25					
26					
27					
28					
29					
30					
31					
32					
33					
34					
35					
36					
37					
38					
39					
40					
41					
42					
43					
44					
45					

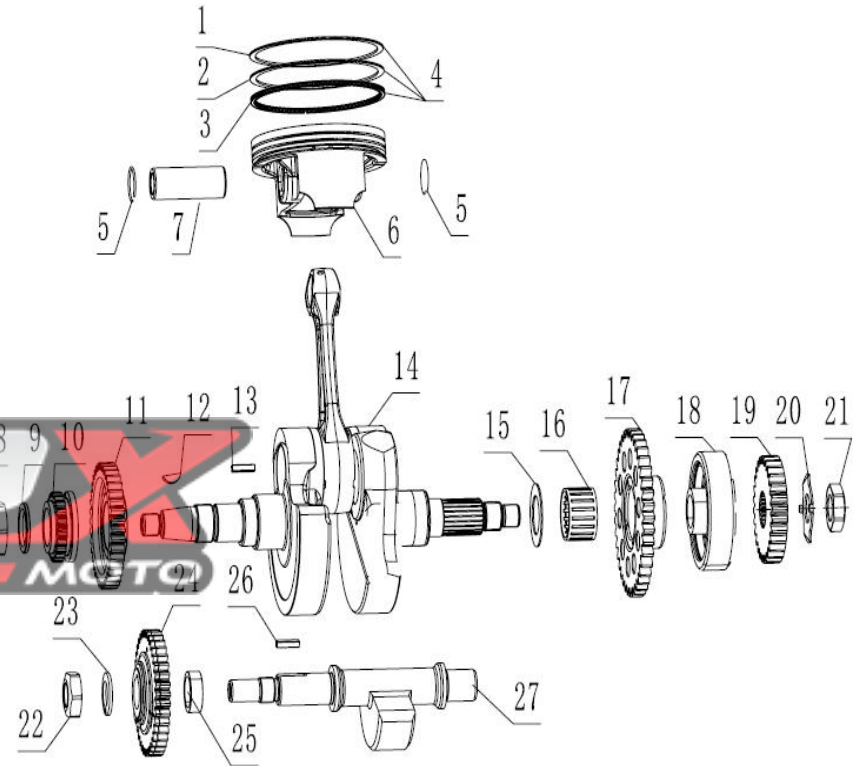


右曲轴箱 RIGHT CRANKCASE



曲轴连杆部件/活塞 CRANKSHAFT CONNECTING-ROD ASSY/PISTON

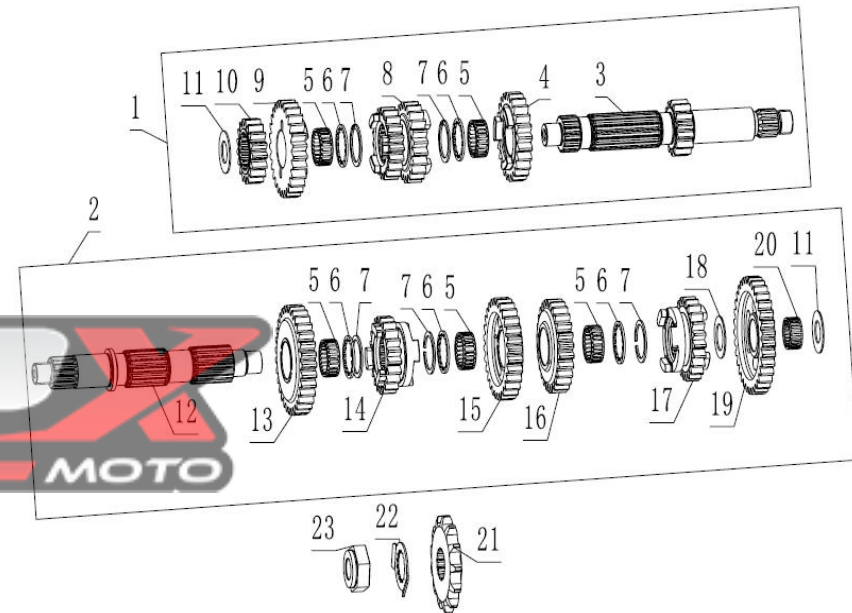
序号 NO.	编码 (PART CODE)	中文名称 (CHINESE DESCRIPTION)	英文名称 (ENGLISH DESCRIPTION)	数量 QTY	备注 REMARK
1	100079025	NC450活塞环一 (PVD)	Piston Ring, 1	0	PVD
2	100107488	NC450活塞环二	Piston Ring, 2	0	
3	100079024	NC450油环组合 (油环PVD)	Oil Ring, Assy	0	PVD
4	100069455	NC450活塞环总成 (一环油环PVD)	Piston Ring, Comp	0	
5	100050301	NC450活塞销挡圈	Check Ring Piston Pin	0	
6	100069235	NC450活塞 (头部阳极氧化 裙部喷涂二硫化钼)	Piston	0	
7	100101545	NC450活塞销	Pin, Piston	0	
8	100059393	NC250平衡轴锁紧螺母M24×1 (2#)	Nut M24	0	
9	100106369	平垫圈 (φ24.2×2.5×φ32)	Washer, φ24.2×2.5×φ32	0	
10	100070382	NC450正时主动链轮 (2# DID)	Hub Dump Chain Sprocket	0	
11	100120900	NC450平衡主动齿轮 (2#)	Driving Gear	0	
12	100100650	NC250半圆键	Semicircular Key	0	
13	100100661	NC250曲轴平键 (4×4×16)	Tabulate Key	0	
14	100076935	NC450曲轴连杆部件 (2# 立多禄塑钻膜KU344322)	Crankshaft Connecting-Rod Assy	0	
15	100095893	平垫圈 (φ25×2×φ40)	Washer, φ25×2×φ40	0	
16	100101022	轴承 (K29×33×20 滚针)	Needle Bearing, (K29×33×20)	0	
17	100086987	NC450启动大齿轮组合 (2#)	Plate Gear Assy	0	
18	100086989	NC450超越离合器部件	Assembly Overrunning Clutch	0	
19	100120901	NC450主动齿 (2#)	Primary Drive Gear	0	
20	100059394	NC250主动齿止推垫圈 (2#)	Stop Washer	0	
21	100059392	NC250主动齿锁紧螺母M18×1 (2#)	Nut M18	0	
22	100059391	NC250离合器锁紧螺母 (M16×1)	Lock Nut, Clutch	0	
23	100103345	CB125脚离合器碟形垫圈 (16.5×2×27)	Dish Washer, Clutch	0	
24	100120899	NC450平衡从动齿轮组合 (2#)	Driven Gear Ass.	0	
25	100103573	NC250曲轴轴套	Crankshaft Tube	0	
26	100100661	NC250曲轴平键 (4×4×16)	Tabulate Key	0	
27	100087509	NC450平衡轴组合 (3#)	Balance Shaft	0	
28					
29					
30					
31					
32					
33					
34					
35					
36					
37					
38					
39					
40					
41					
42					
43					
44					
45					



曲轴连杆部件/活塞
CRANKSHAFT CONNECTING-ROD ASSY/PISTON



主副轴组合 TRANSMISSION MAIN, COUNTER SHAFT					
序号 NO.	编码 (PART CODE)	中文名称 (CHINESE DESCRIPTION)	英文名称 (ENGLISH DESCRIPTION)	数量 QTY	备注 REMARK
1	100106697	NC450主轴组合	Main Shaft Transmission	0	
2	100106790	NC450副轴组合	Countershaft Transmission	0	
3	100106702	NC450主轴芯轴	Transmission Main Shaft	0	
4	100106753	NC450主轴5档齿轮	Gear M-5	0	
5	100078562	轴承(KS24×28×10TN 滚针 PA46)	Needle Bearing, (KS24×28×10TN, PA46)	0	
6	100106764	NC450主副轴齿轮隔圈(15齿)	Washer	0	
7	100106772	NC450主副轴齿轮挡圈	Circlip	0	
8	100106755	NC450主轴3、4档齿轮	Gear M-3、4	0	
9	100106754	NC450主轴6档齿轮	Gear M-6	0	
10	100106752	NC450主轴2档齿轮	Gear M-2	0	
11	100106441	平垫圈φ17×1×φ32	Washer, φ17×1×φ32	0	
12	100106795	NC450副轴芯轴	Transmission Counter Shaft	0	
13	100106872	NC450副轴2档齿轮	Gear C-2	0	
14	100106876	NC450副轴6档齿轮	Gear C-6	0	
15	100106873	NC450副轴3档齿轮	Gear C-3	0	
16	100106874	NC450副轴4档齿轮	Gear C-4	0	
17	100106875	NC450副轴5档齿轮	Gear C-5	0	
18	100106467	V250副轴垫圈φ20.1×1×φ30	Washer, φ20.1×1×φ30	0	
19	100106871	NC450副轴1档齿轮	Gear C-1	0	
20	100101013	滚针轴承K20×24×10	Needle Bearing, (K20×24×10)	0	
21	100103847	NC450主动链轮(530.13)	Drive Sprocket	6	
22	100067277	NC450主动链轮止推垫圈(内花键)	Stop Washer	3	
23	100058085	NC250主动链轮锁紧螺母M16×1(螺母带沉台)	Nut	1	
24	100103562	NC450主副轴组合	Transmission Main Counter Shaft	0	
25					
26					
27					
28					
29					
30					
31					
32					
33					
34					
35					
36					
37					
38					
39					
40					
41					
42					
43					
44					
45					
46					

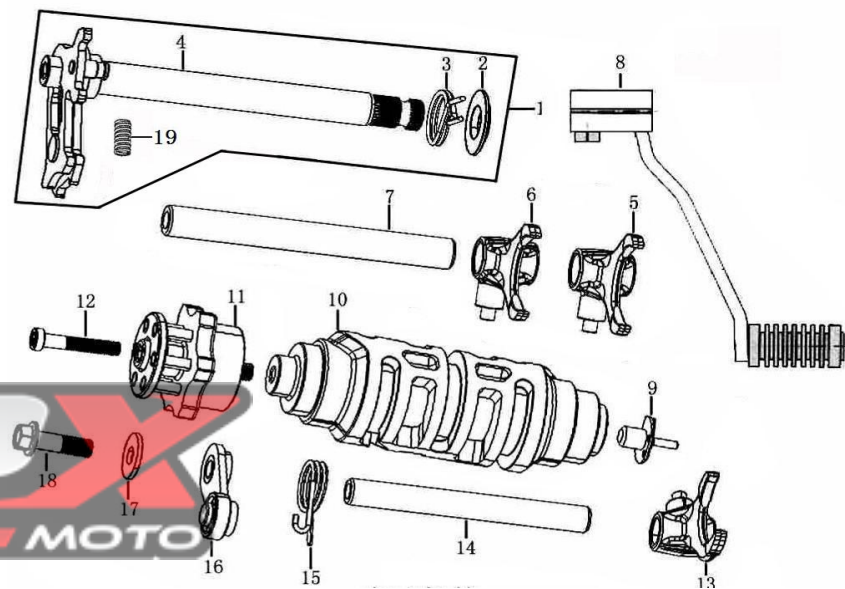


主副轴组合 TRANSMISSION MAIN, COUNTER SHAFT



变速机构 GEARSHIFT MECHANISM

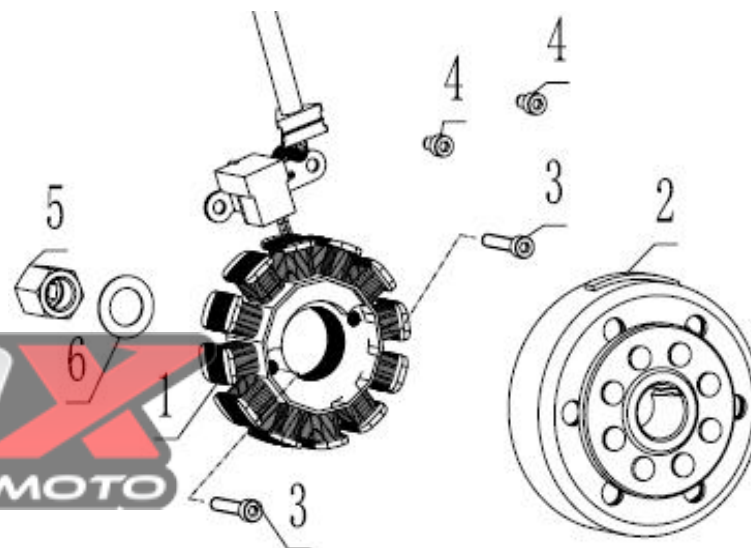
序号	编码 (PART CODE)	中文名称 (CHINESE DESCRIPTION)	英文名称 (ENGLISH DESCRIPTION)	数量	备注
1	100103964	NC250换挡臂部件	Gearshift Lever Comp	0	
2	100104001	NC250换挡轴轴套	Axle Sleeve	0	
3	100103973	NC250换挡回位弹簧	Return Spring	0	
4	100203923	NC250换挡轴组合	Gearshift Shaft Comp	0	
5	100103901	NC450副轴左拨叉	Left Fork Countershaft	0	
6	100103897	NC450副轴右拨叉	Right Fork Countershaft	0	
7	100103929	NC450副轴拨叉轴	Guide Pin, Selector Fork Center	0	
8	100203972	70变速踏板部件(BT-72) 白铬	Gearshift Shaft	1	
9	100104487	CG125D档显动触头(2#)	Contact Gearindication	0	
10	100103939	NC450变速鼓部件(六档国际档)	Gearshift Drum Comp	0	
11	100103945	NC250倒档五星板	Stopping Plate	0	
12	100011537-0002	GB16674小盘螺栓M6×35(兰白锌)	Bolt, M6×35	0	
13	100103907	NC450主轴拨叉	Center Fork Mainshaft	0	
14	100103921	NC250主轴拨叉轴	Shaft Gearshift Fork	0	
15	100103988	NC250定位板弹簧(2#)	SpRing, Locating Plate	0	
16	100104010	NC250定位板组合	Locating Plate Assy	0	
17	100106379	平垫圈(φ6.5×1.5×φ18 磷化)	Washer, φ6.5×1.5×φ18	0	
18	100055588-0006	GB16674小盘螺栓M6×20(兰白锌)	Bolt, M6×20	0	
19	100103979	NC250换挡板回位弹簧	SpRing, Gearshift Plate	0	
20					
21					
22					
23					
24					
25					
26					
27					
28					
29					
30					
31					
32					
33					
34					
35					
36					
37					
38					
39					
40					
41					
42					
43					
44					
45					



变速机构
GEARSHIFT MECHANISM

磁电机总成 MAGNETO COMP

序号 NO.	编码 (PART CODE)	中文名称 (CHINESE DESCRIPTION)	英文名称 (ENGLISH DESCRIPTION)	数量 QTY	备注 REMARK
1	100104177-0002	NC250磁电机定子组合(12V12极 三相全波整流 接口SQBZ-X12 L1:430)	Stator Assy Magneto	0	
2	100104203	NC250磁电机转子组合(12V12极)	Rotor Assy, Magneto	0	
3	100010834-0001	GB70.1螺栓M5×30(兰白锌)	Bolt, M5×30	0	
4	100010831-0001	GB70.1螺栓M5×10(兰白锌)	Bolt, M5×10	0	
5	100100548	NC250磁电机螺母M14×1.5	Nut M14×1.5	0	
6	100106421	平垫圈(φ15.2×1.5×φ25 磷化)	Washer, φ15.2×1.5×φ25	0	
7					
8					
9					
10					
11					
12					
13					
14					
15					
16					
17					
18					
19					
20					
21					
22					
23					
24					
25					
26					
27					
28					
29					
30					
31					
32					
33					
34					
35					
36					
37					
38					
39					
40					
41					
42					
43					
44					
45					

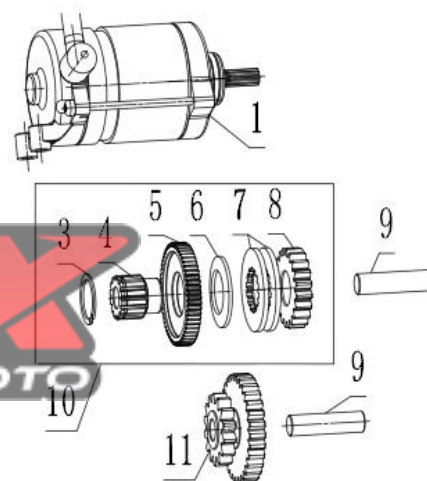


磁电机总成 MAGNETO COMP



电启动机构 ELECTRIC STARTING MECHANI

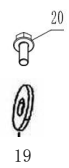
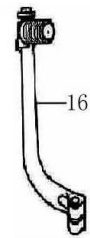
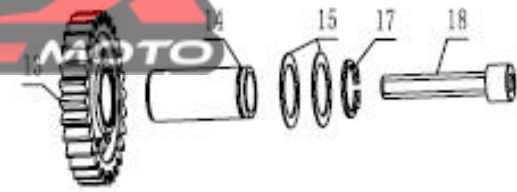
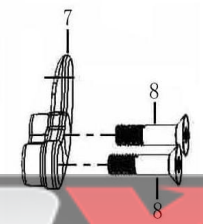
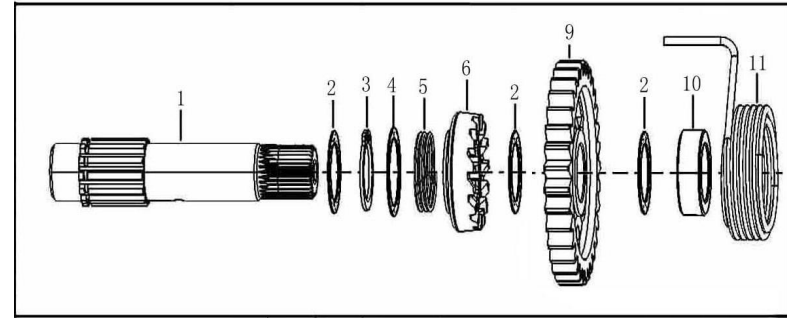
序号 NO.	编码 (PART CODE)	中文名称 (CHINESE DESCRIPTION)	英文名称 (ENGLISH DESCRIPTION)	数量 QTY	备注 REMARK
1	100083405-0002	NC450启动电机(2# 单线 圆形 510 机座钝化 机壳兰白锌)	Starting Motor Assy	0	
2	100011534-0002	GB16674小盘螺栓M6×25(兰白锌)	Bolt, M6×25	0	
3	100103659	V250副轴齿轮卡圈(23×1×29)	Circlip	0	
4	100060121	NC450双联齿轮轴套(14齿)	Reduction Shaft Sleeve	0	
5	100088950	NC450双联齿轮一(45齿 摩擦式)	Twin Gear Set	0	
6	100102774	碟形垫圈(φ25.5×2×φ41)	Dish Washer, φ25.5×2×φ41	0	
7	100202717	NC250双联齿从动摩擦片	From The Kinetic Friction Slices	0	
8	100060851	NC450双联齿轮(一 20齿)	Twin Gear	0	
9	100062750	NC450双联齿轮轴(一)	Shaft Reduction	0	
10	100083794	NC450双联齿轮组合一(2# 摩擦式)	Gear, Reduction, 1	0	
11	100060120	NC450双联齿轮二(2#)	Gear, Reduction, 2(2#)	0	
12					
13					
14					
15					
16					
17					
18					
19					
20					
21					
22					
23					
24					
25					
26					
27					
28					
29					
30					
31					
32					
33					
34					
35					
36					
37					
38					
39					
40					
41					
42					
43					
44					
45					



电启动机构 ELECTRIC STARTING MECHANI



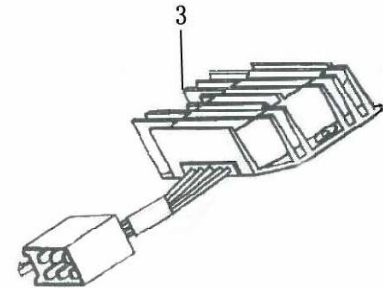
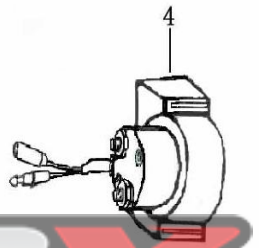
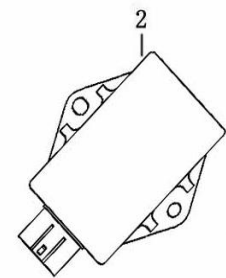
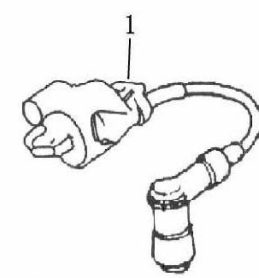
启动轴总成 KICK STARTING SHAFT ASSEMBLY					
序号	编码 (PART CODE)	中文名称 (CHINESE DESCRIPTION)	英文名称 (ENGLISH DESCRIPTION)	数量	备注
1	100105757	NC250启动轴芯轴	Pivot Kick Starting Shaft	0	
2	100106458	平垫圈(φ18.5×0.5×φ26)	Washer, φ18.5×0.5×φ26	0	
3	100011103	GB894.1挡圈21(轴径21 内径19.5)	Retaining Ring, 21	0	
4	100106480	平垫圈(φ21.7×0.5×φ29.5)	Washer, φ21.7×0.5×φ29.5	0	
5	100105789	NC250启动棘轮弹簧	Spring, Kick Starting Ratchet Wheel	0	
6	100105785	NC250启动棘轮	Starting Ratchet	0	
7	100105792	NC250启动棘轮导板	Guide Plate	0	
8	100031831-0002	GB819.2螺钉M6×25(兰白锌)	Screw, M6×25	0	
9	100108204	NC450脚启动主动齿	Gear Kick Starter Drive	0	
10	100105741	NC250启动轴弹簧座	Seat Spring, Kick Starting Shaft	0	
11	100108209	NC450启动轴复位弹簧	Return Spring, Kick Starting Shaft	0	
12	100105720	NC450启动轴总成	Kick Starting Shaft Assembly	0	
13	100103785	NC450启动过桥齿轮	Gear	0	
14	100103777	NC450启动过桥齿轮轴	Collar	0	
15	100106458	平垫圈(φ18.5×0.5×φ26)	Washer, φ18.5×0.5×φ26	0	
16	100303463	NC250启动杆部件(QD-2G)杆抛丸钝化 花键座抛丸镀兰白锌	Start-Up Bar Comp	0	
17	100011100	GB894.1挡圈18(轴径18 内径16.5)	Retaining Ring, 18	0	
18	100031794-0003	GB70.1螺栓M8×40(兰白锌)	Bolt, M8×40	0	
19	100106607	平垫圈(φ8.5×3×φ23 白锌)	Washer, φ8.5×3×φ23	0	
20	100011313-0004	GB5789螺栓M8×20(兰白锌)	Bolt, M8×20	0	
21					
22					
23					
24					
25					
26					
27					
28					
29					
30					
31					
32					
33					
34					
35					
36					
37					
38					
39					
40					
41					
42					
43					
44					
45					



启动轴总成
KICK STARTING SHAFT ASSEMBLY

电器件 ELECTRIC

序号	编码 (PART CODE)	中文名称 (CHINESE DESCRIPTION)	英文名称 (ENGLISH DESCRIPTION)	数量	备注
1	100204285	高压包 (MG03B-DG125 L:500)	Ignition Coil	0	
2	100073311	NC450退角限速点火器 (DCI-ZS143-000)	C.D. I	0	
3	100205443	整流调压器 (MT12V12-ZSA32 赛科龙)	Rectifier	0	
4	100205381	继电器 (MQJ10-ZS01A)	Relay	0	
5					
6					
7					
8					
9					
10					
11					
12					
13					
14					
15					
16					
17					
18					
19					
20					
21					
22					
23					
24					
25					
26					
27					
28					
29					
30					
31					
32					
33					
34					
35					
36					
37					
38					
39					
40					
41					
42					
43					
44					
45					



电器件 ELECTRIC