

ZS182MN (NC300S) 发动机

零件目录及图册 (V1.0)



PARTS-BREAKDOWN CATALOGUE FOR ZS182MN ENGINE



ZS182MN (NC300S) 发动机 零件目录及图册签署页

编 制： _____

校 对：  _____

审 核： _____

审 定： _____

批 准： _____

说 明

用户订购零件时请参考本册，若与实车不同之处，以实车为准。如欲知某零部件的名称、件号或装配关系，可按零部件的形状，在有关的插图中查找，可知其装配位置。然后按图上的序号在相应的表格中即可查到该零部件的名称、件号和数量。后续更改，不再通知。

FOREWORD

Please make reference to this book when you plan to purchase the parts. Any difference against the real motorcycle, please do as per the real. To get information concerning a certain component part, first locate, by its shape, the part in the illustration which show its fitting position, then find out the reference number of that part and look it up in the corresponding table where all informatung about the part are provided, such as the name, part number, quantity and/or its fitting relationship with other parts. Any modifications will not be informed ahead of time.









名称:NC300S发动机零部件目录及图册

Doc.Title :PARTS-BREAKDOWN CATALOGUE FOR NC300S ENGIN

发动机名称: NC300S

Doc.no (Model code):NC300S

公司名称: 宗申

Brand Name :ZONGSHEN

Revision Number:

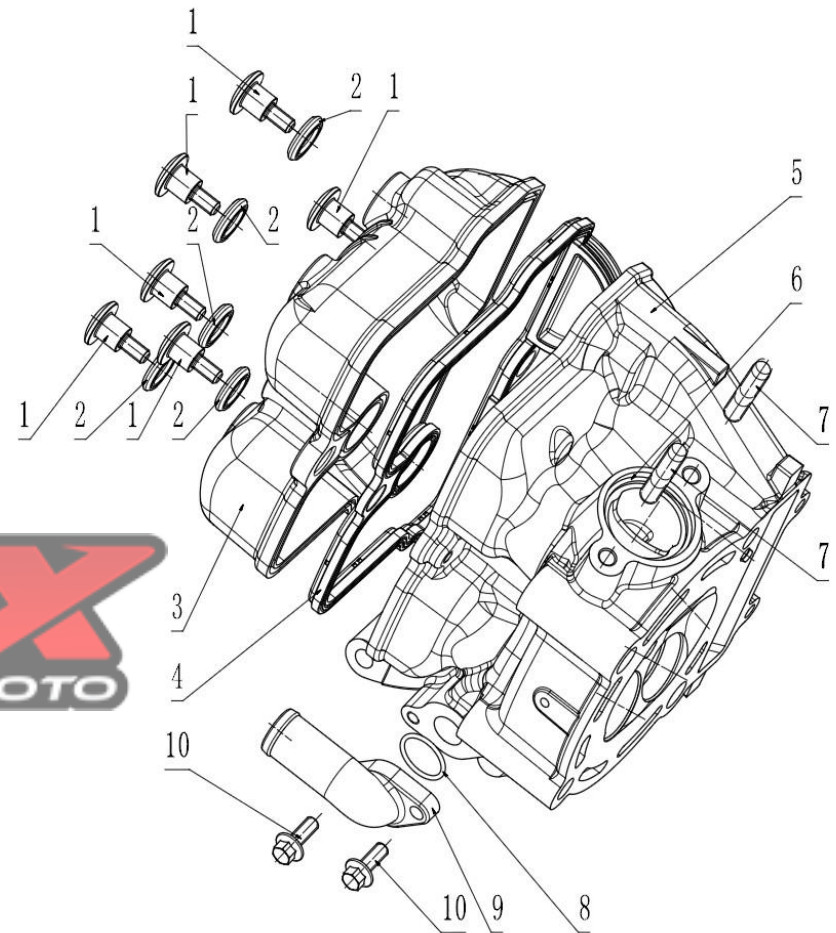
Date of Release:3.11.2020

Page :1 of 16

PAGE	中文名称	ENGLISH DESCRIPTION
1	气缸头部件	CYLINDER HEAD ASSY
2	气缸体部件	CYLINDER BLOCK ASSEMBLY
3	配气机构	VALVE MECHANISM
4	右曲轴箱盖	RIGHT CRANKCASE COVER
5	左曲轴箱盖	LEFT CRANKCASE COVER
6	离合器总成	CLUTCH ASSY
7	机油泵部件	OIL PUMP
8	左曲轴箱	LEFT CRANKCASE
9	右曲轴箱	RIGHT CRANKCASE
10	曲轴连杆部件/活塞	CRANKSHAFT CONNECTING-ROD ASSY/PISTON
11	主副轴组合	TRANSMISSION MAIN,COUNTER SHAFT
12	启动轴总成	KICK STARTING SHAFT ASSEMBLY
13	变速机构	GEARSHIFT MECHANISM
14	磁电机总成	MAGNETO COMP
15	电启动机构	ELECTRIC STARTING MECHANI
16	电器件	ELECTRIC
17		
18		

气缸头部件 CYLINDER HEAD ASSY

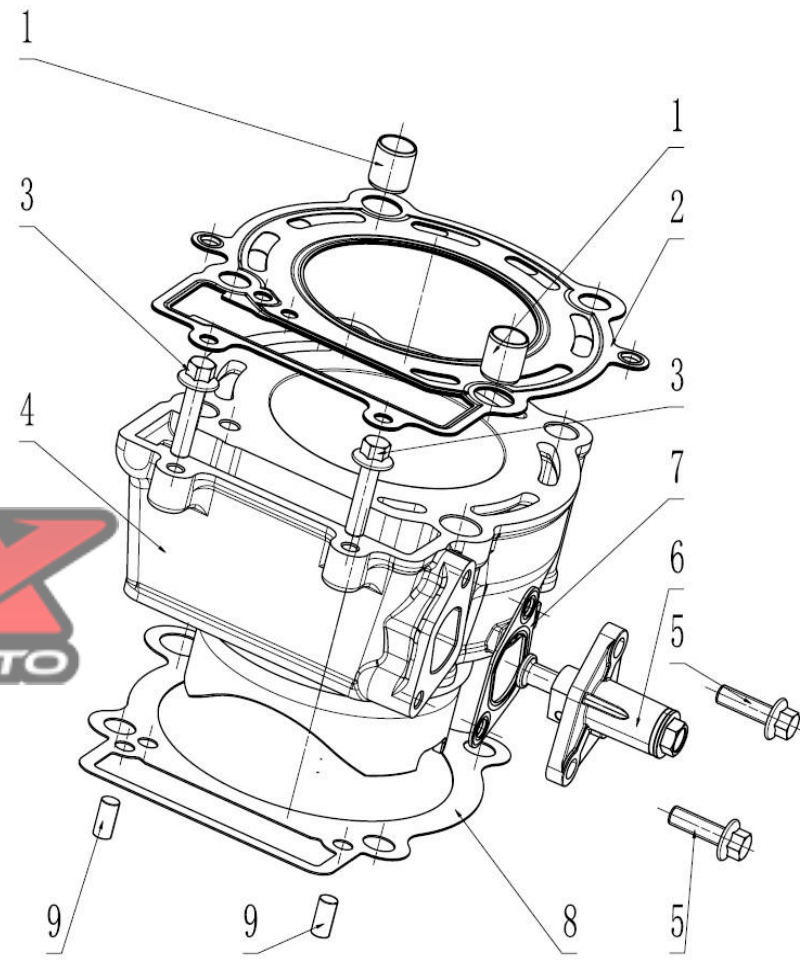
序号 NO.	编码 (PART CODE)	中文名称 (CHINESE DESCRIPTION)	英文名称 (ENGLISH DESCRIPTION)	数量 QTY	备注 REMARK
1	100100406-0002	Derbi125缸头盖固定螺栓 (异形M6_兰白锌)	Screw, M6	0	
2	100102894	Derbi125头盖螺栓缓冲垫圈	Washer	0	
3	100066384-0001	NC250S缸头盖 (抛丸钝化)	Upper Cover Cylinder Head	0	
4	100066387	NC250S缸头盖上盖密封圈	Seal Ring, Of Upper Cover Cylinder Head	0	
5	100066678-0001	NC250S气缸头组合 (M8 58 抛丸钝化)	Cylinder Head Assy	0	
6	100201303	NC250排气消声器隔热垫 (铜)	Packing Silencer	0	
7	100100439-0002	CG125D缸头排气口双头螺栓 M8×40 (6# 兰白锌)	Bolt, M8×40	0	
8	100057103	O型圈 (φ19×1.8 氟橡胶)	O_Ring, φ19×1.8	0	
9	100066986-0001	NC250S缸头出水嘴 (抛丸钝化)	Output Water Nozzle Of Cylinder Head	0	
10	100055588-0006	GB16674小盘螺栓 M6×20 (兰白锌)	Bolt, M6×20	0	
11					
12					
13					
14					
15					
16					
17					
18					
19					
20					
21					
22					
23					
24					
25					
26					
27					
28					
29					
30					
31					
32					
33					
34					
35					
36					
37					
38					
39					
40					
41					
42					
43					
44					



气缸头部件 CYLINDER HEAD ASSY

气缸体部件 CYLINDER ASSEMBLY

序号 NO.	编码 (PART CODE)	中文名称 (CHINESE DESCRIPTION)	英文名称 (ENGLISH DESCRIPTION)	数量 QTY	备注 REMARK
1	100108525	定位销φ13×14	Dowel Pin, φ13×14	0	
2	100722072	NC300S气缸头密封垫组合 (2#_金属)	Gasket Assembly Cylinder Head	0	
3	100011534-0002	GB16674小盘螺栓M6×25(兰白锌)	Bolt, M6×25	0	
4	100715607-0001	NC300S气缸体部件(缸标283 抛丸钝化)	Cylinder Block Assembly	0	
5	100055588-0006	GB16674小盘螺栓M6×20(兰白锌)	Bolt, M6×20	0	
6	100105242-0002	NC250张紧器组合(抛丸钝化)	Chain Tensioning Wheel	0	
7	100108520	HIPER50张紧器密封垫	Gasket Tensioner	0	
8	100099215	NC250气缸体密封垫(厚0.5 不含石棉)	Gasket Cylinder Block	0	
9	100108526	圆柱销φ6×12	Pin, φ6×12	0	
10					
11					
12					
13					
14					
15					
16					
17					
18					
19					
20					
21					
22					
23					
24					
25					
26					
27					
28					
29					
30					
31					
32					
33					
34					
35					
36					
37					
38					
39					
40					
41					
42					

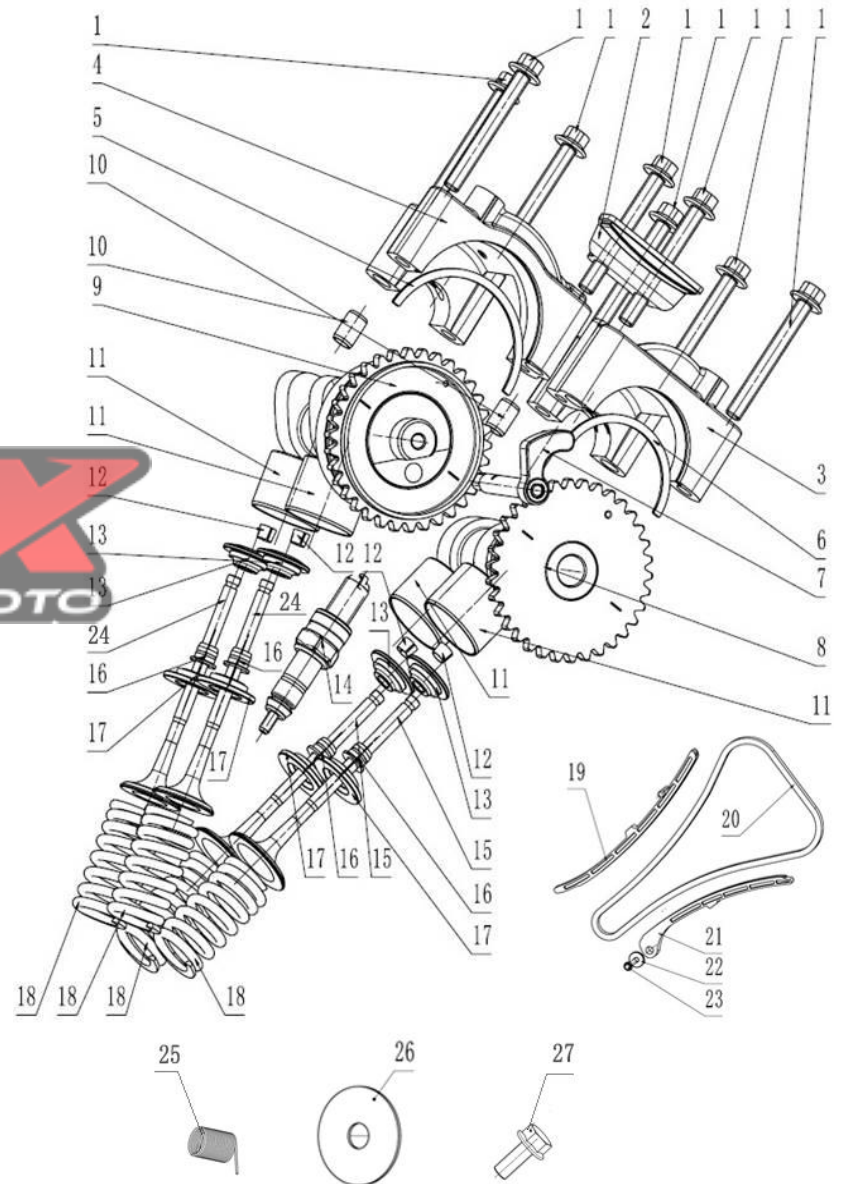


气缸体部件 CYLINDER ASSEMBLY

43					
44					
45					

配气机构 VALVE MECHANISM

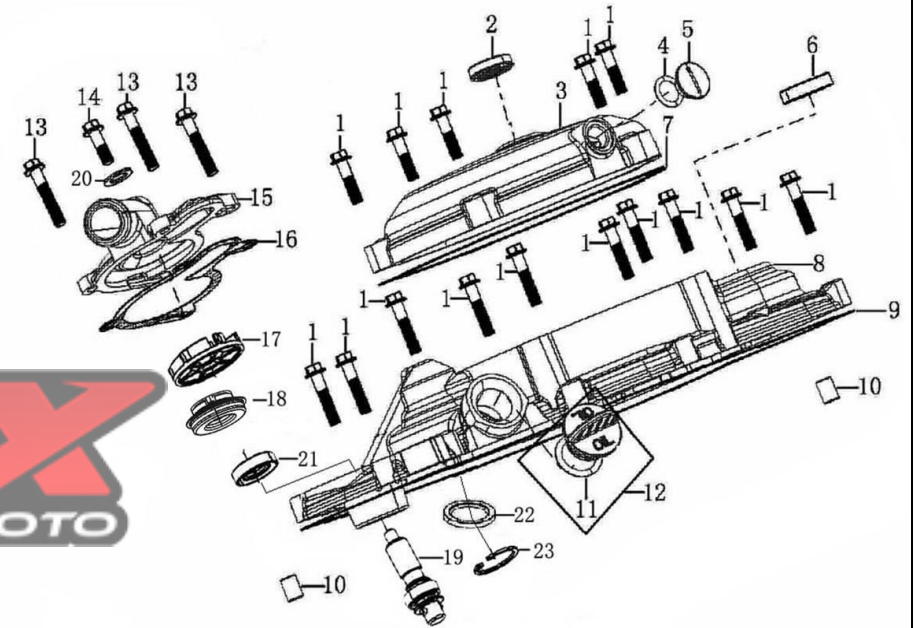
序号 NO.	编码 (PART CODE)	中文名称 (CHINESE DESCRIPTION)	英文名称 (ENGLISH DESCRIPTION)	数量 QTY	备注 REMARK
1	100093736	NC250S缸头支架固定螺栓	Bolt	0	
2	100066824	NC250S链条压板	Clamp	0	
3	100072697	NC250S进气支架组合	Cover Admission Inlet Camshaft	0	缸头自带
4	100072698	NC250S排气支架组合	Cover Admission Exhaust Camshaft	0	缸头自带
5	100072696	NC250S排气凸轮轴承C型环	C-Type Annulus	0	
6	100072695	NC250S进气凸轮轴承C型环	C-Type Annulus	0	
7	100066383	NC250S排气凸轮轴减压阀甩块组合	Centrifugal Mass Ass.	0	
8	100072525	NC250S进气凸轮轴部件	Gamp Shaft Comp	0	
9	100072526	NC250S排气凸轮轴部件	Gamp Shaft Comp	0	
10	100713888	NC250S缸头支架定位销	Pin	0	缸头自带
11	100089607	NC250S气门挺柱 (DLC涂层)	Valve Tappet	0	
12	100200707	HIPER50气门锁夹	Valve Locker	0	
13	100145409	NC250S气门弹簧上座	Outer Valve SpRing, Retainer	0	
14	100141088	NC250S火花塞 (TORCH/R CR8E1)	Spark Plug	0	
15	100066380	NC250S进气门	Inlet Valve	0	
16	100200729	HIPER50挡油罩组合	Seal Valve Stem	0	
17	100145410	NC250S气门弹簧下座	Outer Valve SpRing, Retainer	0	
18	100145408	NC250S气门弹簧 (2#)	Valve Spring	0	
19	100066391	NC250S链条导向板	Sliding Block	0	
20	100072996	NC250双凸轮正时链条组合	Sproket Chain	0	
21	100085376	NC250S张紧板	Tension Plate Assy	0	
22	100200464	NC250张紧板衬套	Bush	0	
23	100031953-0002	GB16674小盘螺栓M5×25 (兰白锌)	Bolt, M5×25	0	
24	100066388	NC250S排气门	Exhaust Valve	0	
25	100105010	NC250凸轮减压阀复位扭簧 (2#)	Decompression SpRing, Of Camshaft	0	
26	100149788	NC250S凸轮轴减压阀挡板 (φ6.5×2×φ25 兰白锌)	Washer, φ6.5×2×φ25	0	
27	100055589-0006	GB16674小盘螺栓M6×16 (兰白锌)	Bolt, M6×16	0	
28					
29					
30					
31					
32					
33					
34					
35					
36					
37					
38					
39					
40					



41					
42					
43					
44					
45					

配气机构 VALVE MECHANISM

右曲轴箱盖 RIGHT CRANKCASE COVER					
序号 NO.	编码 (PART CODE)	中文名称 (CHINESE DESCRIPTION)	英文名称 (ENGLISH DESCRIPTION)	数量 QTY	备注 REMARK
1	100011536-0002	GB16674小盘螺栓M6×30(兰白锌)	Bolt, M6×30	0	
2	100101321	NC250机油观察窗	Oil Lelve Sight Window	0	
3	100101318-0003	NC450右装饰盖(白板_抛丸钝化)	Decorate Cover R.Crankcase Cover	0	
4	100010074	O型圈(φ13.2×2.65_丁腈胶)	O-Ring, φ13.2×2.65	0	
5	100103059-0003	C100小视孔盖(抛丸钝化)	Cap Small View Hole	0	
6	100104744	NC250启动轴油封(18×30×7_氟橡胶)	Oil Seal 18×30×7	0	
7	100104615	NC250右装饰盖密封垫(发泡金属橡胶复合板)	Gasket Decotate Cover	0	
8	100050061-0007	NC250右盖组合(3#_普通款_机械水封_白板_抛丸钝化)	Cover Comp Right Crankcase	0	
9	100208666	NC250右曲轴箱盖密封垫(发泡金属橡胶复合板)	Gasket R.Crankcase Cover	0	
10	100102726	定位销φ9×13	Dowel Pin, φ9×13	0	
11	100107693	O型圈(φ18×3.55_氟橡胶)	O-Ring, φ18×3.55	0	
12	100071971	NC250机油塞组合(带1500ml标识_黑色)	Oil Plug Assy	0	
13	100011537-0002	GB16674小盘螺栓M6×35(兰白锌)	Bolt, M6×35	0	
14	100055588-0006	GB16674小盘螺栓M6×20(兰白锌)	Bolt, M6×20	0	
15	100105519-0002	NC250水泵盖(抛丸钝化)	Water Pump Cover	0	
16	100104609	NC250水泵盖密封垫(发泡金属橡胶复合板)	Gasket	0	
17	100105527	NC250水泵叶轮	Ane Wheel Water Pump	0	
18	100105543	NC450机械水封组件	Water Pump Seal	0	
19	100105548	NC450水泵轴组合	Shaft Water Pump Ass.	0	
20	100106566	平垫圈(φ6.5×1.5×φ12)	Washer, φ6.5×1.5×φ12	0	
21	100104809	NC250水泵轴油封(12×24×6_氟橡胶)	Oil Seal 12×24×6	0	
22	100104688	NC250曲轴油封(14×24×7_TCV型_氟橡胶)	Oil Seal 14×24×7	0	
23	100011077	GB893.1挡圈24	Retaining Ring, 24	0	
24					
25					
26					
27					
28					
29					
30					
31					
32					
33					
34					
35					
36					
37					
38					

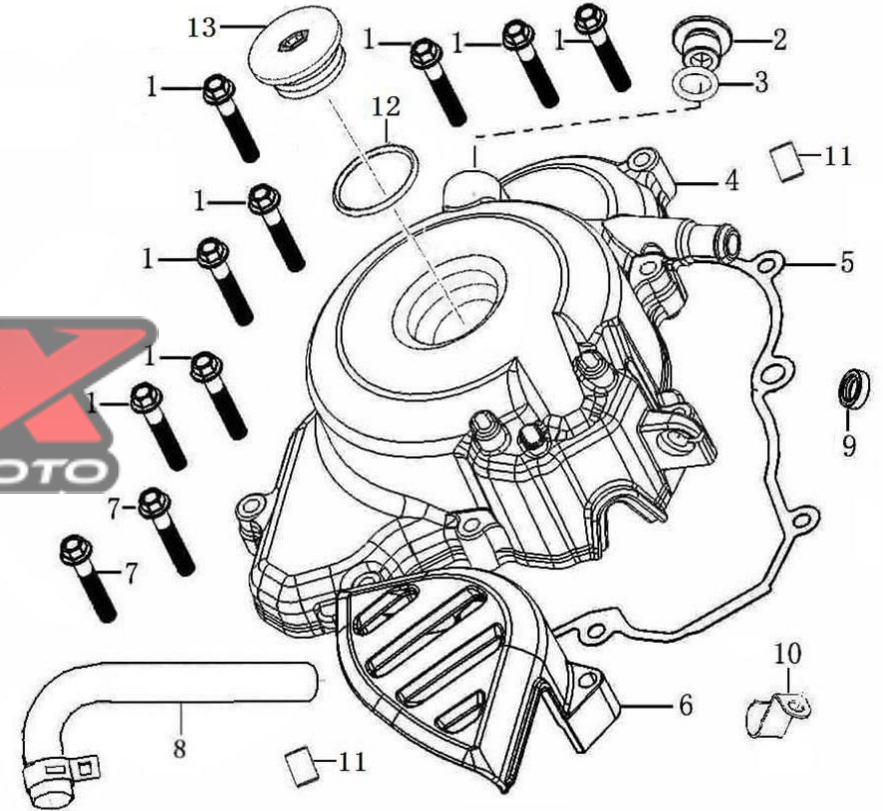


右曲轴箱盖
RIGHT CRANKCASE COVER

39					
40					
41					
42					
43					
44					
45					

左曲轴箱盖 LEFT CRANKCASE COVER

序号 NO.	编码 (PART CODE)	中文名称 (CHINESE DESCRIPTION)	英文名称 (ENGLISH DESCRIPTION)	数量 QTY	备注 REMARK
1	100011537-0002	GB16674小盘螺栓M6×35(兰白锌)	Bolt, M6×35	0	
2	100105195	NC250摇臂轴定位螺栓M14×1	Bolt	0	
3	100107654	O型圈(φ11.8×2.6 氟橡胶)	O-Ring, φ11.8×2.6	0	
4	100061981-0005	NC250左盖(NC250-1#款_加强型_白板_抛丸钝化)	NC250 left cover	0	
5	100064033	NC250左边盖密封垫(2#)	Gasket Cylinder Head Upper Cover	0	
6	100103122	NC250左后盖(NC250-1# 塑料 黑色)	Back Part L.Crankcase Cover	0	
7	100011536-0002	GB16674小盘螺栓M6×30(兰白锌)	Bolt, M6×30	0	
8	100102977	CG125D通气管组件(1#_卡箍1个_复合层材料)	Pipe Assy	0	
9	100104670	YB110曲轴油封(10×18×6 氟橡胶)	Oil Seal 10×18×6	0	
10	100206196	LY350磁电机线夹II(白铬)	Fixing Plate Magneto Cable	0	
11	100102726	定位销φ9×13	Dowel Pin, φ9×13	0	
12	100107713	O型圈(φ22.5×3.55)	O-Ring, φ22.5×3.55	0	
13	100103063-0002	ZS96大视孔盖(抛丸钝化)	Cap Big View Hole	0	
14					
15					
16					
17					
18					
19					
20					
21					
22					
23					
24					
25					
26					
27					
28					
29					
30					
31					
32					
33					
34					
35					
36					

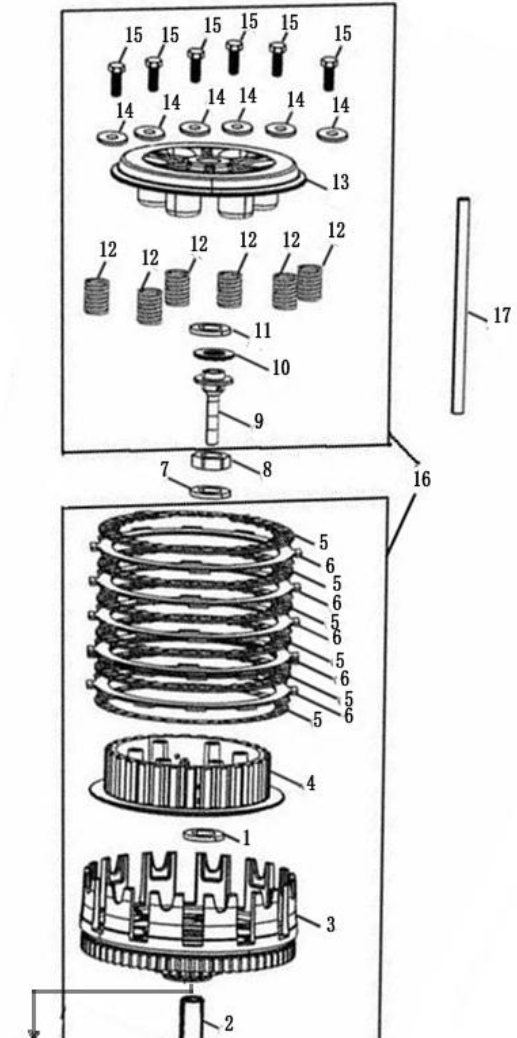


左曲轴箱盖
LEFT CRANKCASE COVER

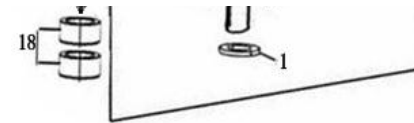
37					
38					
39					
40					
41					
42					
43					
44					
45					

离合器总成 CLUTCH ASSY

序号 NO.	编码 (PART CODE)	中文名称 (CHINESE DESCRIPTION)	英文名称 (ENGLISH DESCRIPTION)	数量 QTY	备注 REMARK
1	100106474	平垫圈 (φ20.2×1.8×φ34)	Washer, φ20.2×1.8×φ34	0	
2	100103355	NC250 离合器轴套	Sleeve Clutch	0	
3	100063902	NC250 离合器外罩组合 (4#_氯化丁腈缓冲套_滚针支撑)	Out Case Assembly Clutch	0	
4	100202928	NC250 离合器中心套	Center Sleeve Clutch	0	
5	100203053	NC250 离合器主动摩擦片 (富士)	Drive Friction Disk	0	
6	100203066	NC250 离合器从动摩擦片	Outer Friction Disk A	0	
7	100059394	NC250 主动齿止推垫圈 (2#)	Stop Washer	0	
8	100059391	NC250 离合器锁紧螺母 (M16×1)	Lock Nut, Clutch	0	
9	100203075	NC250 离合器顶杆	Rod Clutch Push	0	
10	100101204	GR125 离合器止推轴承 (AXK1528)	BearRing, (Axk1528)	0	
11	100106415	平垫圈 (φ15×1×φ28)	Washer, φ15×1×φ28	0	
12	100103395	NC250 离合器弹簧	SpRing, Clutch	0	
13	100103378	NC250 离合器压盘	Pressure Plate Clutch	0	
14	100202986	NC250 离合器弹簧座 (凸台2mm)	Clutch Disengage SpRing, Seat	0	
15	100033034-0001	GB5783 螺栓M5×25 (磷化) 10.9级	Bolt, M5×25	0	
16	100154568	NC250 离合器总成 (4#_氯化丁腈_富士胶基摩擦片_凸台2mm_外罩减短8mm_滚针支撑)	Clutch Assy	0	
17	100103437	NC250 离合器推杆	Pushing Rod Clutch	0	
18	100101018	轴承 (K25×29×13_滚针)	Needle BearRing, (K25×29×13)	0	
19					
20					
21					
22					
23					
24					
25					
26					
27					
28					
29					
30					
31					
32					
33					
34					



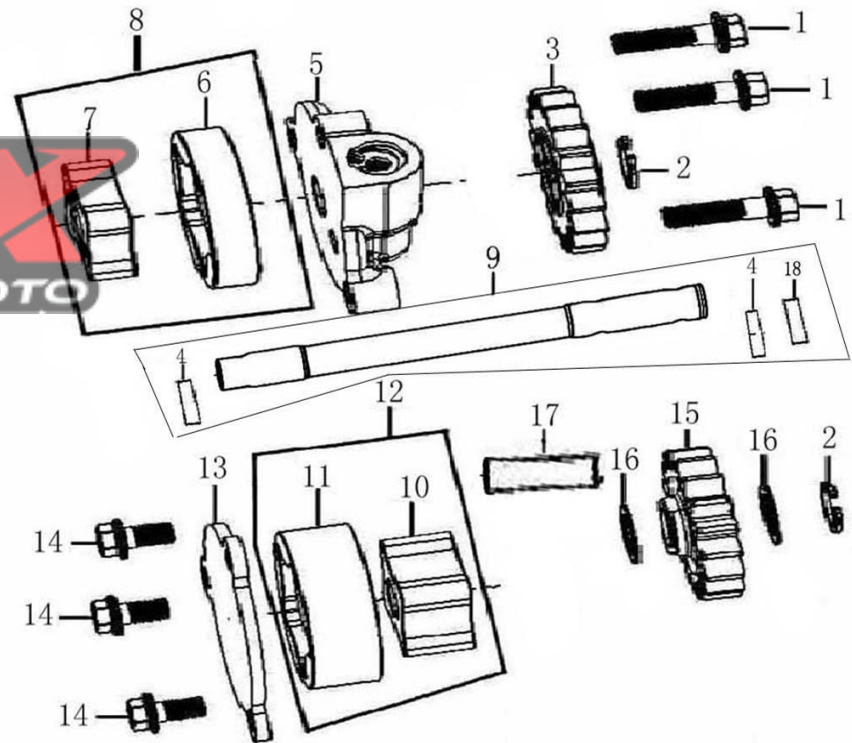
35					
36					
37					
38					
39					
40					
41					
42					
43					
44					
45					



离合器总成 LUTCH ASSY

机油泵部件 OIL PUMP

序号 NO.	编码 (PART CODE)	中文名称 (CHINESE DESCRIPTION)	英文名称 (ENGLISH DESCRIPTION)	数量 QTY	备注 REMARK
1	100011521-0001	GB16674小盘螺栓M5×18(兰白锌)	Bolt, M5×18	0	
2	100011094	GB894.1挡圈10(轴径10 内径9.3 RoHS)	Retaining Ring, 10	0	
3	100714158	NC250SR机油泵齿轮(粉末冶金)	Oil pump gear	0	
4	100100903	圆柱销φ4×15.8	Pin, φ4×15.8	0	
5	100144709	NC250SR机油泵盖板(右)	Oil Pump Cover	0	
6	100100207	NC250机油泵外转子(一)	Outer Rotor Oil Pump	0	
7	100100196	NC250机油泵内转子(一)	Inner Rotor Oil Pump	0	
8	100100215	NC250机油泵转子组件(8mm)	Oil Pump Rotor	0	
9	100100157	NC250机油泵油泵轴	Shaft Oil Pump	0	
10	100100197	NC250机油泵内转子(二)	Inner Rotor Oil Pump	0	
11	100100208	NC250机油泵外转子(二)	Outer Rotor Oil Pump	0	
12	100100216	NC250机油泵转子组件(14mm)	Oil Pump Rotor	0	
13	100100167	NC250机油泵盖板(左)	Oil Pump Cover	0	
14	100011518-0001	GB16674小盘螺栓M5×12(兰白锌)	Bolt, M5×12	0	
15	100714157	NC250SR机油泵过桥齿轮(粉末冶金)	Oil pump bridge gear	0	
16	100106390	平垫圈(φ10.2×0.5×φ15)	Washer, φ10.2×0.5×φ15	0	
17	100100218	NC250机油泵过桥齿轮轴	Oil Pump Gear Shaft	0	
18	100100889	圆柱销φ3×16	Pin, φ3×16	0	
19					
20					
21					
22					
23					
24					
25					
26					
27					
28					
29					
30					
31					
32					

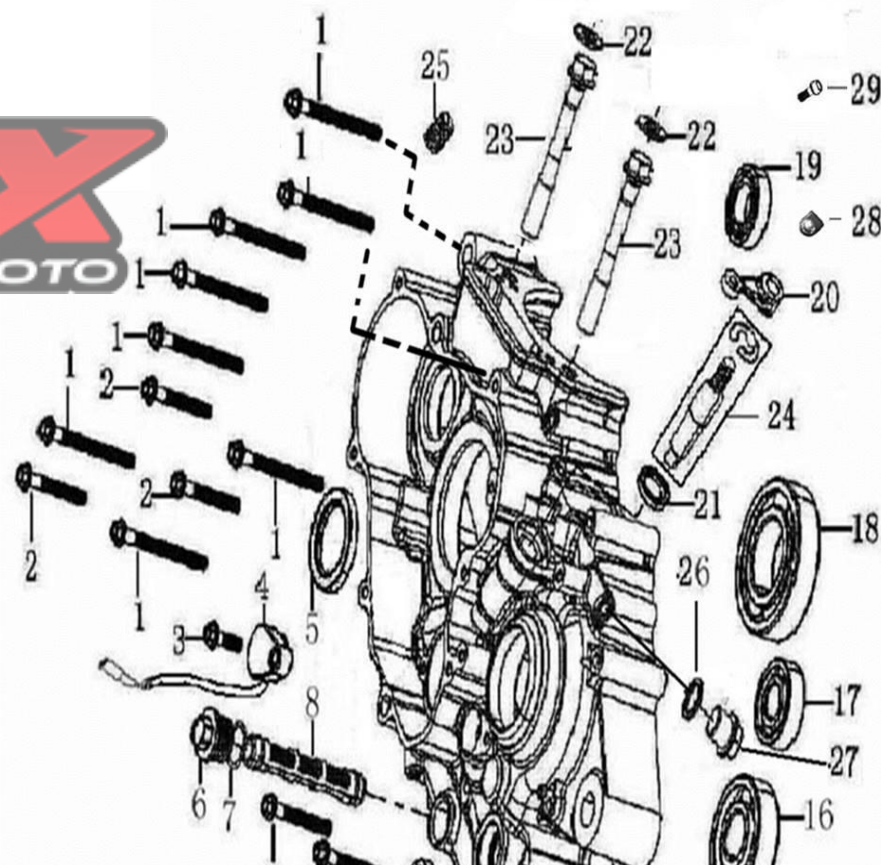


机油泵部件 OIL PUMP

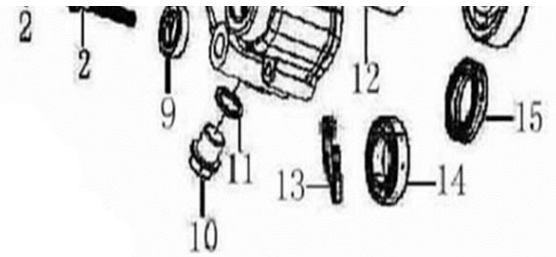
33					
34					
35					
36					
37					
38					
39					
40					
41					
42					
43					
44					
45					
46					

左曲轴箱 LEFT CRANKCASE

序号 NO.	编码 (PART CODE)	中文名称 (CHINESE DESCRIPTION)	英文名称 (ENGLISH DESCRIPTION)	数量 QTY	备注 REMARK
1	100071434-0001	GB16674.1小盘螺栓M6×65(兰白锌 35CrMo)_10.9级	Bolt, M6×65	0	
2	100071435-0001	GB16674.1小盘螺栓M6×45(兰白锌 35CrMo)_10.9级	Bolt, M6×45	0	
3	100010979-0003	GB819.2螺钉M6×20(兰白锌)	Screw, M6×20	0	
4	100104494-0001	NC250六档档显线束(六档国际_接口6G-D99 L:550)	Gearshift Switch Comp	0	
5	100104719	NC250副轴油封(32×47×6 氟橡胶)	Oil Seal 32×47×6	0	
6	100104918-0001	NC250机油滤网盖(黑锌)	Cover Oil Filter Screen	0	
7	100107684	O型圈(φ17.5×1.8 氟橡胶)	O-Ring, φ17.5×1.8	0	
8	100060838	NC250机油滤网组合(2# 带O型密封圈)	Strainer Oil Filter	0	
9	100104830	LY350倒档变速鼓油封(15×25×5 氟橡胶)	Oil Seal 15×25×5	0	
10	100050705-0002	NC450放油螺塞M16×1.5(兰白锌)	Drain Bolt	0	
11	100106556	平垫圈(φ16.5×2×φ23)	Washer, φ16.5×2×φ23	0	
12	100062022-0002	NC250左曲轴箱组合(3# 加强型 抛丸钝化)	Assm. Left Crankcase	0	
13	100011078	GB893.1挡圈28	Retaining Ring, 28	0	
14	100010771	轴承(61902-2Z)	Bearing, 61902	0	
15	100100927	轴承(61805)	BearRing, (61805)	0	
16	100101107	轴承(63/22JR2C3_东培)	BearRing, (63/22Jr2C3)	0	
17	100101097	轴承(6203JR2C3_东培)	BearRing, (6203Jr2C3)	0	
18	100153384	轴承(NJ207ETN1)	Bearings	0	
19	100068781	轴承(CSB204_JR2C3_东培)	BearRing, (Csb204_Jr2C3)	0	
20	100106275-0002	NC250离合器分离杆摇臂(兰白锌)	Rocker Arm Release Lever Clutch	0	
21	100104747	CG125D档显油封(14×22×5 丙烯酸酯)	Oil Seal 14×22×5	0	
22	100106393	平垫圈(φ10.5×2×φ20 磷化)	Washer, φ10.5×2×φ20	0	
23	100100341	NC250缸头缸体螺栓(磷化)	Bolt	0	
24	100106277-0002	NC250离合器分离杆(含挡圈_兰白锌)	Clutch Separating Rod	0	
25	100100726	NC250机油喷嘴	Oil Nozzle	0	
26	100106575	平垫圈(φ8.5×1.2×φ15)	Washer, φ8.5×1.2×φ15	0	
27	100100432-0007	SB125水泵盖放水螺栓M8×10(兰白锌)	Bolt, M8×10	0	
28	100068013	NC250轴承挡板	Baffle	0	
29	100010835-0001	GB70.1螺栓M6×10(兰白锌)	Bolt, M6×10	0	

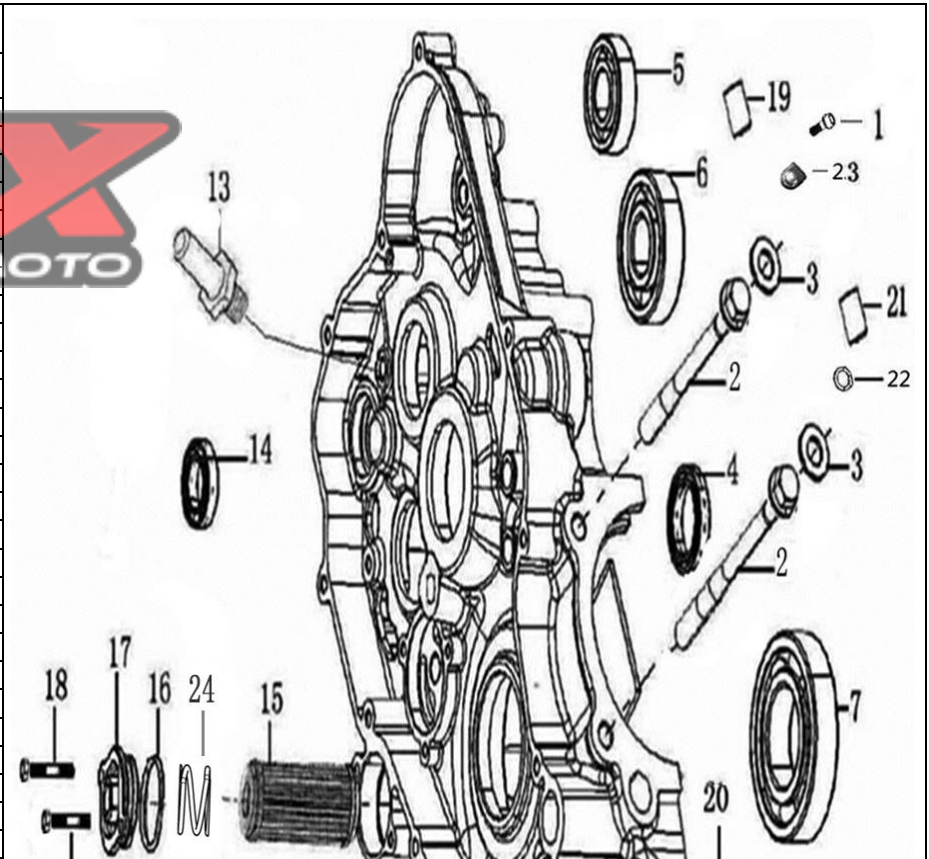


30					
31					
32					
33					
34					
35					
36					
37					
38					
39					
40					
41					
42					
43					
44					
45					

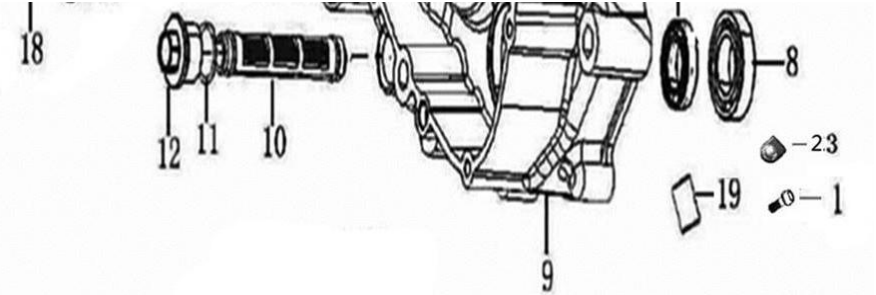


左曲轴箱
LEFT CRANKCASE

右曲轴箱 RIGHT CRANKCASE					
序号 NO.	编码 (PART CODE)	中文名称 (CHINESE DESCRIPTION)	英文名称 (ENGLISH DESCRIPTION)	数量 QTY	备注 REMARK
1	100010835-0001	GB70.1 螺栓M6×10(兰白锌)	Bolt, M6×10	0	
2	100100341	NC250缸头缸体螺栓(磷化)	Bolt	0	
3	100106393	平垫圈(φ10.5×2×φ20 磷化)	Washer, φ10.5×2×φ20	0	
4	100100927	轴承(61805)	BearRing, (61805)	0	
5	100101097	轴承(6203JR2C3 东培)	BearRing, (6203Jr2C3)	0	
6	100100999	轴承(6304 东培)	BearRing, (6304)	0	
7	100153384	轴承(NJ207ETN1)	Bearings	0	
8	100068781	轴承(CSB204_JR2C3 东培)	BearRing, (Csb204_Jr2C3)	0	
9	100062021-0002	NC250右曲轴箱组合(6# 加强型 双联齿一带嵌件 抛丸钝化)	Assm.Right Crankcase	0	
10	100060838	NC250机油滤网组合(2# 带O型密封圈)	Strainer Oil Filter	0	
11	100107684	O型圈(φ17.5×1.8 氟橡胶)	O-Ring, φ17.5×1.8	10	
12	100104918-0001	NC250机油滤网盖(黑锌)	Cover Oil Filter Screen	0	
13	100100398	NC250变档臂定位螺栓	Bolt Return Springn Fixing	0	
14	100010771	轴承(61902-2Z)	Bearing, 61902	0	
15	100104863	NC250倒档机油精滤器部件	Oil Filter	20	
16	100107754	O型圈(φ30×2.6 氟橡胶)	O-Ring, φ30×2.6	10	
17	100063279-0003	NC250机油精滤器盖(2# 抛丸钝化)	Cap Oil Filter	0	
18	100055589-0006	GB16674小盘螺栓M6×16(兰白锌)	Bolt, M6×16	0	
19	100108525	定位销φ13×14	Dowel Pin, φ13×14	0	
20	100104698	YB110副轴油封(20×35×5 氟橡胶)	Oil Seal 20×35×5	0	
21	100100867	定位销φ8×12×φ6.3	Dowel Pin, φ8×12×φ6.3	0	
22	100107800	O型圈(φ6.5×1.9 氟硅胶)	O-Ring, φ6.5×1.9	0	
23	100068013	NC250轴承挡板	Baffle	0	
24	100100017	NC250倒档精滤器弹簧	SpRing, Oil Fine Filter	0	
25					
26					
27					



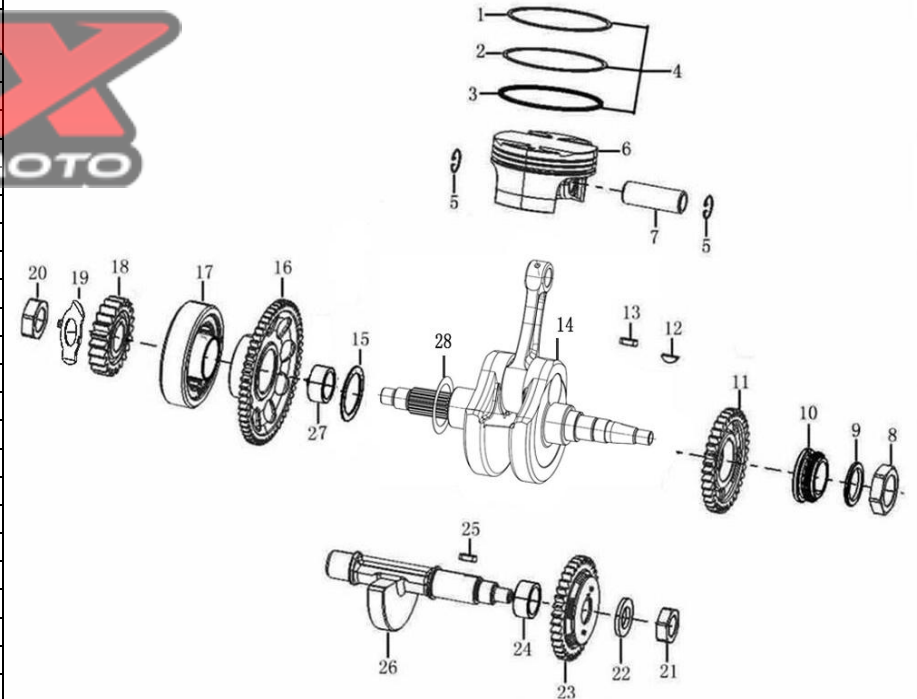
28					
29					
30					
31					
32					
33					
34					
35					
36					
37					
38					
39					
40					
41					
42					
43					
44					
45					



右曲轴箱
RIGHT CRANKCASE

曲轴连杆部件/活塞 CRANKSHAFT CONNECTING-ROD ASSY/PISTON

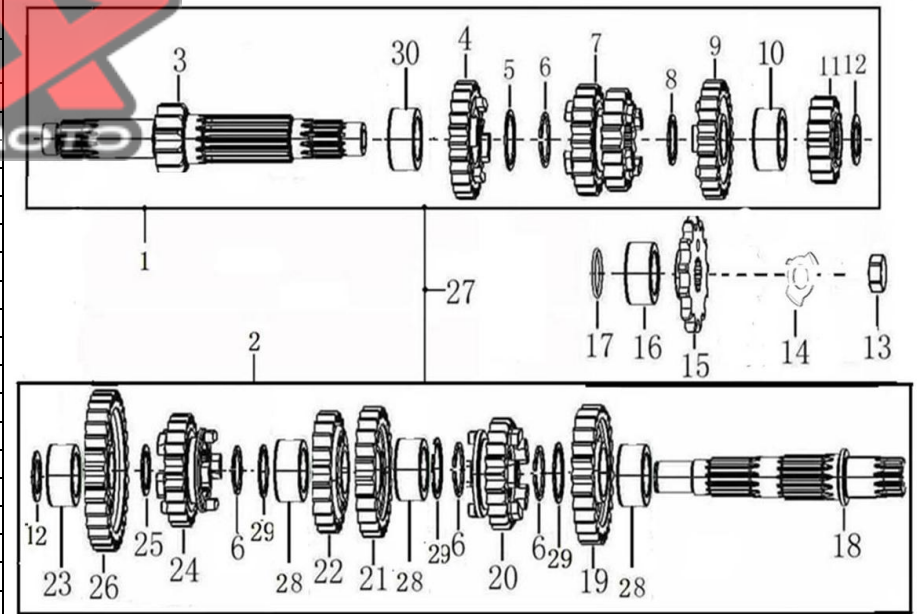
序号 NO.	编码 (PART CODE)	中文名称 (CHINESE DESCRIPTION)	英文名称 (ENGLISH DESCRIPTION)	数量 QTY	备注 REMARK
1	100109078	ZS650活塞环一	Piston Ring,1st Compression	0	
2	100109079	ZS650活塞环二	Piston Ring,2	0	
3	100109080	ZS650油环组合	Piston Ring,Oil Control	0	
4	100109077	ZS650活塞环组合	Piston Ring	0	
5	100100590	NC250活塞销挡圈	Check Ring Piston Pin	0	
6	100125989	NC300S活塞	Piston	0	
7	100126435	NC300S活塞销	Pin,Piston	0	
8	100086103	NC250S正时主动链轮锁紧螺母	nut	0	
9	100106593	平垫圈(φ20×2.5×φ25)	Washer, φ20×2.5×φ25	0	
10	100072997	NC250S正时主动链轮	Hub Dump Chain Sprocket	0	
11	100083793	NC250S平衡主动齿	Driving Gear	0	
12	100100650	NC250半圆键	Semicircular Key	0	
13	100100661	NC250曲轴平键(4×4×16)	Tabulate Key	0	
14	100144834	NC250SR曲轴连杆部件	Crank connecting rod member	0	
15	100106483	平垫圈(φ23×1×φ40)	Washer, φ23×1×φ40	0	
16	100083473	NC250启动大齿轮组合(3#)	Plate Gear Assy	0	
17	100083474	NC250超越离合器部件(2#)	Assembly Overrunning Clutch	0	
18	100103506	NC250主动齿	Primary Drive Gear	0	
19	100059394	NC250主动齿止推垫圈(2#)	Stop Washer	0	
20	100059392	NC250主动齿锁紧螺母M18×1(2#)	Nut M18	0	
21	100059391	NC250离合器锁紧螺母(M16×1)	Lock Nut,Clutch	0	
22	100103345	CB125脚离合器碟形垫圈(16.5×2×27)	Dish Washer,Clutch	0	
23	100095653	NC250平衡从动齿轮组合(3#)	Driven Gear Ass	0	
24	100064036	NC250曲轴轴套(2#)	Crankshaft Tube	0	
25	100100670	NC250平衡轴平键(4×4×13)	Tabulate Key	0	



26	100064034	NC250平衡轴 (2#)	Balance Shaft	0	
27	100101022	轴承 (K29×33×20_滚针)	Needle BeaRing, (K29×33×20)	0	
28	100162930	NC250SR曲轴间隙调节垫圈 (φ37×0.2×φ50)	Washer	0	
29					
30					
31					
32					
33					
34					
35					
36					
37					
38					
39					
40					
41					
42					
43					
44					
45					

曲轴连杆部件/活塞 CRANKSHAFT CONNECTING-ROD

主副轴组合 TRANSMISSION MAIN, COUNTER SHAFT					
序号 NO.	编码 (PART CODE)	中文名称 (CHINESE DESCRIPTION)	英文名称 (ENGLISH DESCRIPTION)	数量 QTY	备注 REMARK
1	100134172	NC250S 主轴组合	Main Shaft Transmission	0	
2	100134173	NC250S 副轴组合	Countershaft Transmission	0	
3	100051560	NC250 主轴芯轴 (六档)	Transmission Main Shaft	0	
4	100134217	NC250S 主轴5档齿轮	Gear M-5	0	
5	100134218	平垫圈 (φ25.2×1×φ33)	Washer, 25.2×1×33	0	
6	100103659	V250副轴齿轮卡圈 (23×1×29)	Circlip	0	
7	100134174	NC250S 主轴3 (4) 档齿轮	Gear M-3、4	0	
8	100106471	平垫圈 (φ20.2×1×φ28_弹簧钢)	Washer, φ20.2×1×φ28	0	
9	100103639	NC250 主轴6档齿轮	Gear M-6	0	
10	100101013	轴承 (K20×24×10_滚针)	Needle BeaRing, (K20×24×10)	0	
11	100103640	NC250 主轴2档齿轮 (六档)	Gear M-2	0	
12	100106444	平垫圈 (φ17.1×1×φ26)	Washer, φ17.1×1×φ26	0	
13	100058085	NC250 主动链轮锁紧螺母 M16×1 (螺母带沉台)	Nut	1	
14	100058086	NC250 主动链轮止推垫圈 (2#_花键)	Stop Washer	1	
15	100103838	NC250 主动链轮 (520.13_端面带孔)	Drive Sprocket	3	
16	100103516	NC250 输出轴轴套	Bush	0	
17	100107711	O型圈 (φ21×2_氟橡胶)	O-Ring, φ21×2	0	
18	100058084	NC250 副轴芯轴 (4#)	Transmission Counter Shaft	0	
19	100134166	NC250S 副轴2档齿轮	Gear C-2	0	
20	100134170	NC250S 副轴6档齿轮	Gear C-6	0	
21	100134167	NC250S 副轴3档齿轮	Gear C-3	0	
22	100134168	NC250S 副轴4档齿轮	Gear C-4	0	
23	100105804	NC250 副轴一档齿轮双金属衬套	Metal Bush	0	



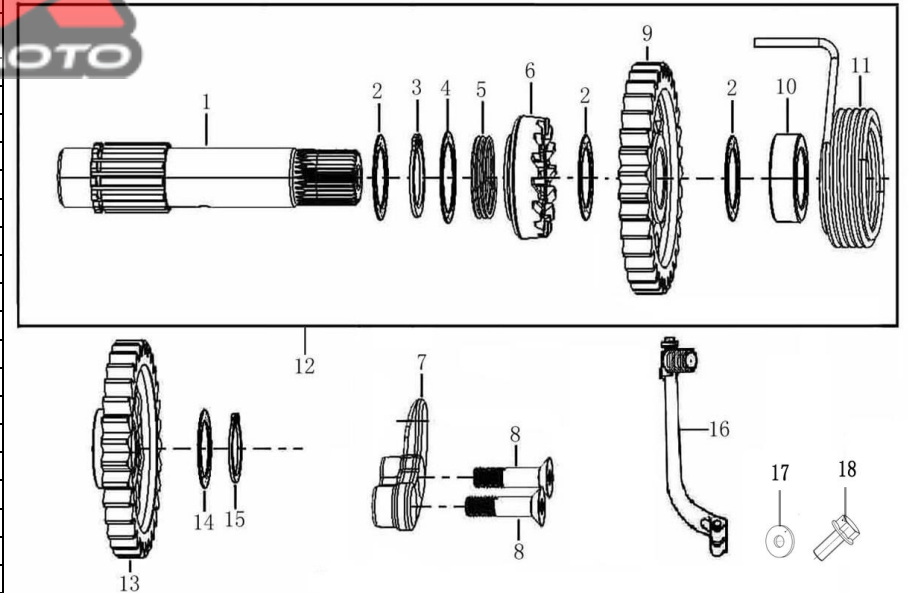
主副轴组合

24	100134169	NC250S副轴5档齿轮	Gear C-5	0	
25	100106459	平垫圈(φ19×1×φ26)	Washer, φ19×1×φ26	0	
26	100134165	NC250S副轴1档齿轮	Gear C-1	0	
27	100134171	NC250S主副轴组合	Transmission Main, Counter Shaft	0	
28	100101135	轴承(KS22×26×10TN_滚针)	Needle BeaRing, (Ks22×26×10Tn)	0	
29	100103652	NC250副轴齿轮隔圈(2#)	Washer	0	
30	100099388	轴承(K25×29×10_依纳_滚针)	Needle BeaRing, (K25×29×10)	0	
31					
32					
33					
34					
35					
36					
37					
38					
39					
40					
41					
42					
43					
44					
45					

TRANSMISSION MAIN, COUNTER

启动轴总成 KICK STARTING SHAFT ASSEMBLY

序号 NO.	编码 (PART CODE)	中文名称 (CHINESE DESCRIPTION)	英文名称 (ENGLISH DESCRIPTION)	数量 QTY	备注 REMARK
1	100105757	NC250启动轴芯轴	Pivot Kick Starting Shaft	0	
2	100106458	平垫圈(φ18.5×0.5×φ26)	Washer, φ18.5×0.5×φ26	0	
3	100011103	GB894.1挡圈21(轴径21 内径19.5)	Retaining Ring, 21	0	
4	100106480	平垫圈(φ21.7×0.5×φ29.5)	Washer, φ21.7×0.5×φ29.5	0	
5	100105789	NC250启动棘轮弹簧	SpRing, Kick Starting Ratchet Wheel	0	
6	100105785	NC250启动棘轮	Starting Ratchet	0	
7	100105792	NC250启动棘轮导板	Guide Plate	0	
8	100031831-0002	GB819.2螺钉M6×25(兰白锌)	Screw, M6×25	0	
9	100105779	NC250启动齿轮	Gear Kick Starter	0	
10	100105741	NC250启动轴弹簧座	Seat SpRing, Kick Starting Shaft	0	
11	100105749	NC250启动轴复位弹簧	Return SpRing, Kick Starting Shaft	0	
12	100201883	NC250启动轴总成	Kick Starting Shaft Assembly	0	
13	100103784	NC250副轴启动过桥齿轮	Gear	0	
14	100106516	平垫圈(φ17.1×0.5×φ26)	Washer, φ17.1×0.5×φ26	0	
15	100011099	GB894.1挡圈17(轴径17 内径15.7)	Retaining Ring, 17	0	
16	100303463	NC250启动杆部件(QD-2G)杆抛丸钝化_花键座抛丸镀锌	Start-Up Bar Comp	0	
17	100106607	平垫圈(φ8.5×3×φ23_白锌)	Washer, φ8.5×3×φ23	0	
18	100011313-0004	GB5789螺栓M8×20(兰白锌)	Bolt, M8×20	0	
19					
20					
21					

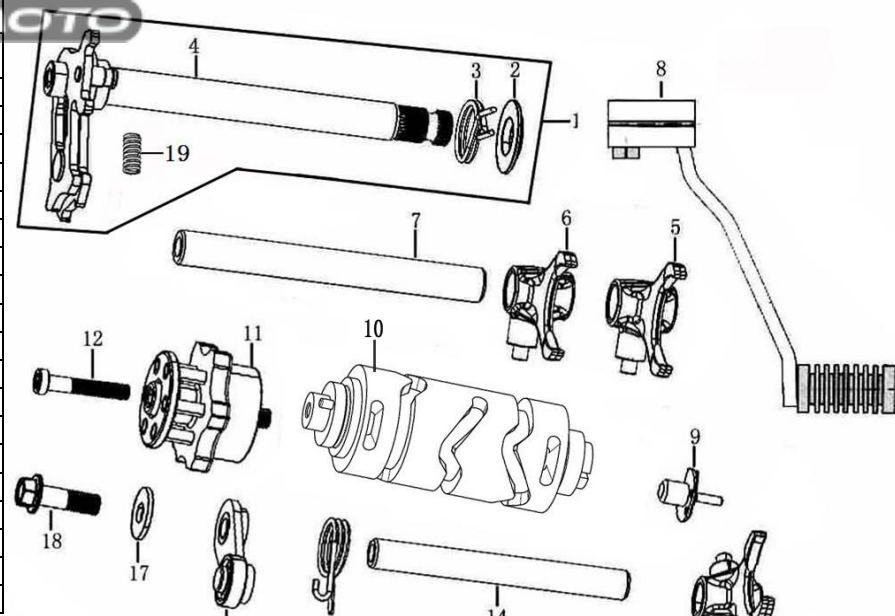


22					
23					
24					
25					
26					
27					
28					
29					
30					
31					
32					
33					
34					
35					
36					
37					
38					
39					
40					
41					
42					
43					
44					
45					

启动轴总成
KICK STARTING SHAFT ASSEMBLY

变速机构 GEARSHIFT MECHANISM

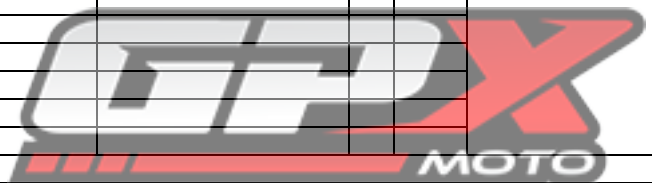
序号 NO.	编码 (PART CODE)	中文名称 (CHINESE DESCRIPTION)	英文名称 (ENGLISH DESCRIPTION)	数量 QTY	备注 REMARK
1	100103964	NC250换档臂部件	Gearshift Lever Comp	0	
2	100104001	NC250换档轴轴套	Axle Sleeve	0	
3	100103973	NC250换档回位弹簧	Return Spring	0	
4	100203923	NC250换档轴组合	Gearshift Shaft Comp	0	
5	100203727	NC250倒档副轴右拨叉	Right Fork Countershaft	0	
6	100203739	NC250倒档副轴左拨叉	Left Fork Countershaft	0	
7	100103927	NC250副轴拨叉轴	Guide Pin, Selector Fork Center	0	
8	100203972	70变速踏板部件 (BT-72) 白铬	Gearshift Shaft	1	
9	100104487	CG125D档显动触头 (2#)	Contact Cearindication	0	
10	100103936	NC250变速鼓部件 (六档国际档)	Gearshift Drum Comp	0	
11	100103945	NC250倒档五星板	Stopping Plate	0	
12	100010841-0001	GB70.1螺栓M6×35(兰白锌)	Bolt, M6×35	0	
13	100203754	NC250主轴拨叉	Center Fork Mainshaft	0	
14	100103921	NC250主轴拨叉轴	Shaft Gearshift Fork	0	
15	100103988	NC250定位板弹簧 (2#)	SpRing, Locating Plate	0	
16	100104010	NC250定位板组合	Locating Plate Assy	0	
17	100106379	平垫圈 (φ6.5×1.5×φ18 磷化)	Washer, φ6.5×1.5×φ18	0	
18	100055588-0006	GB16674小盘螺栓M6×20(兰白锌)	Bolt, M6×20	0	
19	100103979	NC250换档板回位弹簧	SpRing, Gearshift Plate	0	



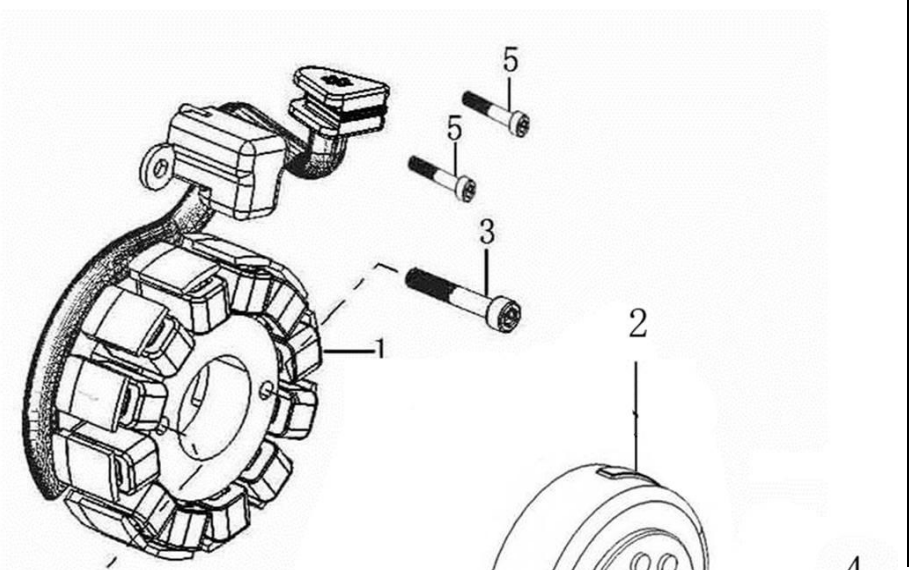
20					
21					
22					
23					
24					
25					
26					
27					
28					
29					
30					
31					
32					
33					
34					
35					
36					
37					
38					
39					
40					
41					
42					
43					
44					
45					

16 15 14 13

变速机构
GEARSHIFT MECHANISM



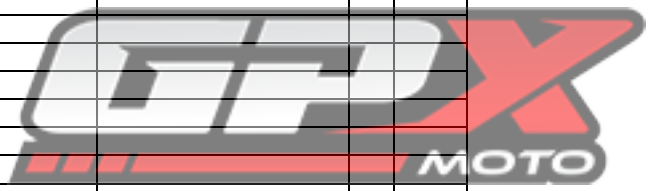
磁电机总成 MAGNETO COMP					
序号 NO.	编码 (PART CODE)	中文名称 (CHINESE DESCRIPTION)	英文名称 (ENGLISH DESCRIPTION)	数量 QTY	备注 REMARK
1	100104177-0002	NC250磁电机定子组合 (12V12极_三相全波直流_接口SQBZ-X12_L1:430)	Stator Assy Magneto	0	
2	100083792	NC250S磁电机转子组合 (12V12极)	Roto Assy Magreto	0	
3	100010834-0001	GB70.1螺栓M5×30(兰白锌)	Bolt, M5×30	0	
4	100076644	XQ125电喷移动皮带轮紧固螺母	Nut	0	
5	100010831-0001	GB70.1螺栓M5×10(兰白锌)	Bolt, M5×10	0	
6					
7					
8					
9					
10					
11					
12					
13					
14					
15					
16					
17					



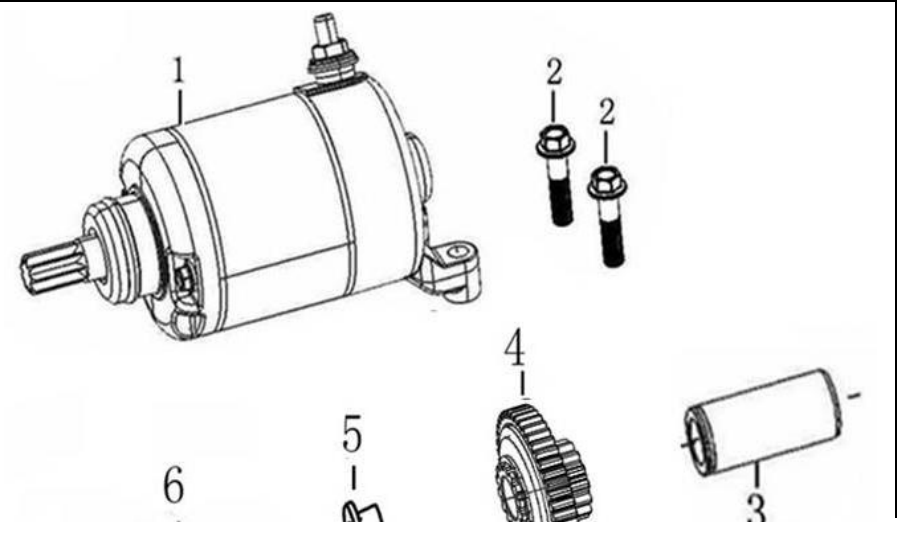
18					
19					
20					
21					
22					
23					
24					
25					
26					
27					
28					
29					
30					
31					
32					
33					
34					
35					
36					
37					
38					
39					
40					
41					
42					
43					
44					
45					



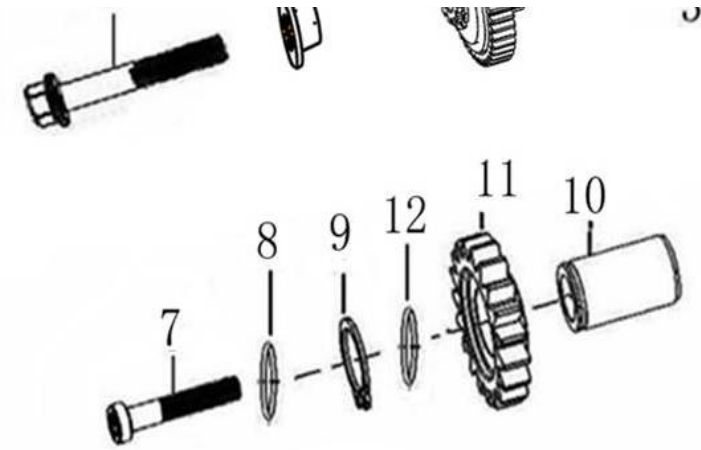
磁电机总成 MAGNETO COMP



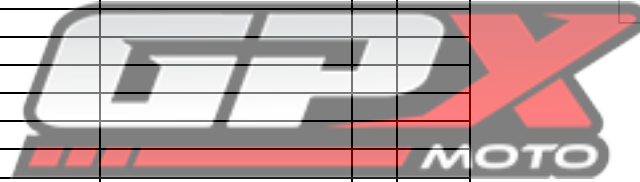
电启动机构 ELECTRIC STARTING MECHANI					
序号 NO.	编码 (PART CODE)	中文名称 (CHINESE DESCRIPTION)	英文名称 (ENGLISH DESCRIPTION)	数量 QTY	备注 REMARK
1	100093081-0003	NC250启动电机(3# 8齿_单线_靴形_510_机座钝化_机壳兰白锌)	Starting Motor Assy	0	
2	100011534-0002	GB16674小盘螺栓M6×25(兰白锌)	Bolt, M6×25	0	
3	100162765	NC250S双联齿轮轴一	Shaft Reduction	0	
4	100093079	NC250双联齿轮组合一(2# 45齿_摩擦式)	Gear Reduction 1	0	
5	100103261	NC250双联齿轮一(异形垫圈)	Duplex Gear	0	
6	100032819-0001	GB70.1螺栓M6×50(不锈钢_SUS304)	Bolt, M6×50	0	
7	100010842-0004	GB70.1螺栓M6×40(兰白锌)	Bolt, M6×40	0	
8	100010886-0005	GB93弹垫φ6(白锌)	Washer, φ6	0	
9	100011097	GB894.1挡圈15(轴径15_内径13.8)	Retaining Ring, 15	0	
10	100103234	NC250双联齿轮轴二	Shaft Reduction	0	
11	100103222	NC250双联齿轮二	Gear Reduction	0	
12	100108535	平垫圈(φ15.2×0.5×φ23)	Washer, φ15.2×0.5×φ23	0	
13					
14					
15					



16					
17					
18					
19					
20					
21					
22					
23					
24					
25					
26					
27					
28					
29					
30					
31					
32					
33					
34					
35					
36					
37					
38					
39					
40					
41					
42					
43					
44					
45					

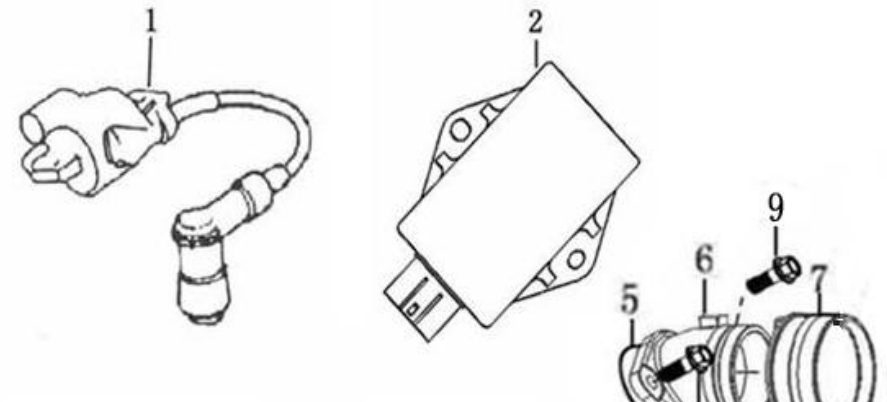


电启动机构
ELECTRIC STARTING MECHANISM

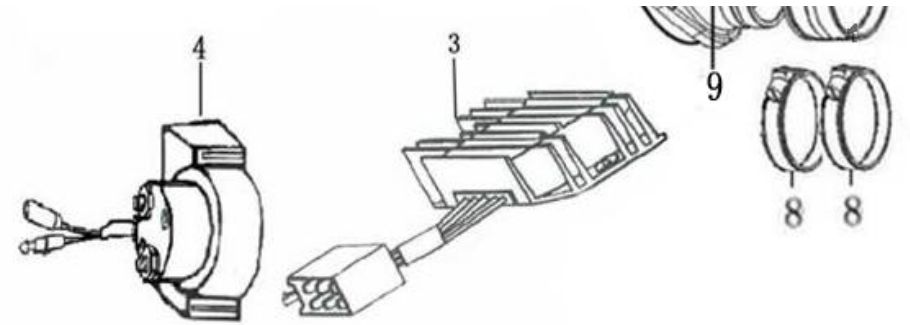


电器件 ELECTRIC

序号 NO.	编码 (PART CODE)	中文名称 (CHINESE DESCRIPTION)	英文名称 (ENGLISH DESCRIPTION)	数量 QTY	备注 REMARK
1	100142052-0001	NC250S 高压包 (MG03B-ZSL42A L:200)	Ignition Coil	0	
2	100204369	NC250退角限速点火器 (直流 DCI-ZSE30-001)	C. D. I	0	
3	100205443	整流调压器 (三相全波 MT12V12-ZSA32 赛科龙)	Rectifier	0	
4	100205381	继电器 (MQJ10-ZS01A)	Relay	0	
5	100107772	O型圈 (φ38×3 氟橡胶)	O-Ring, φ38×3	0	
6	100201085	NC250进气管 (JQ-6T)	Inlet Pipe	1	
7	100201172	NC250进气管接管 (3#)	Connecting Pipe	1	
8	100105385	LY350进气管卡箍组件	Clamp Inlet Pipe	0	
9	100055589-0006	GB16674小盘螺栓 M6×16 (兰白锌)	Bolt, M6×16	0	
10					
11					
12					
13					



14					
15					
16					
17					
18					
19					
20					
21					
22					
23					
24					
25					
26					
27					
28					
29					
30					
31					
32					
33					
34					
35					
36					
37					
38					
39					
40					
41					
42					
43					
44					
45					



电零件 ELECTRIC

