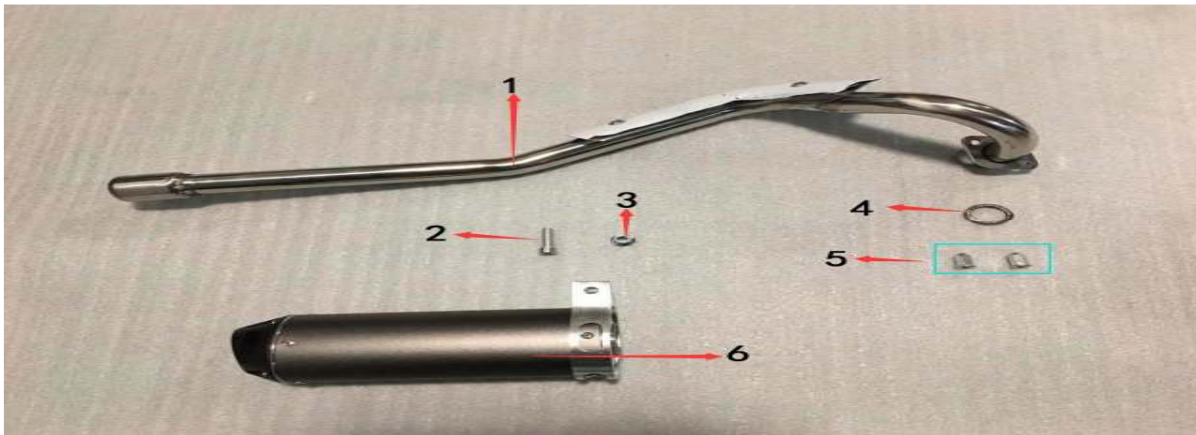


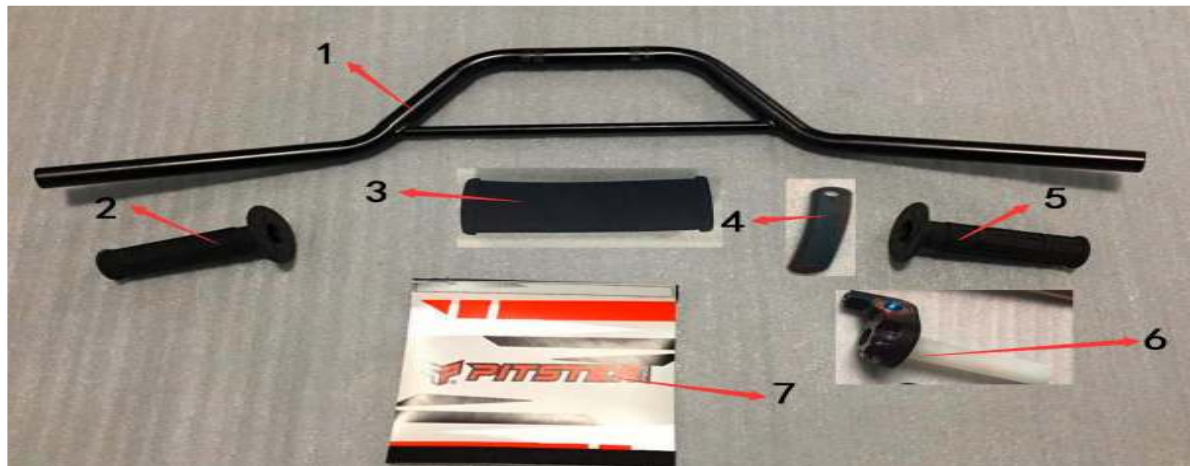
FSE110图表

Figure A: the muffler components, oxygen sensor (图A: 消音器组件)



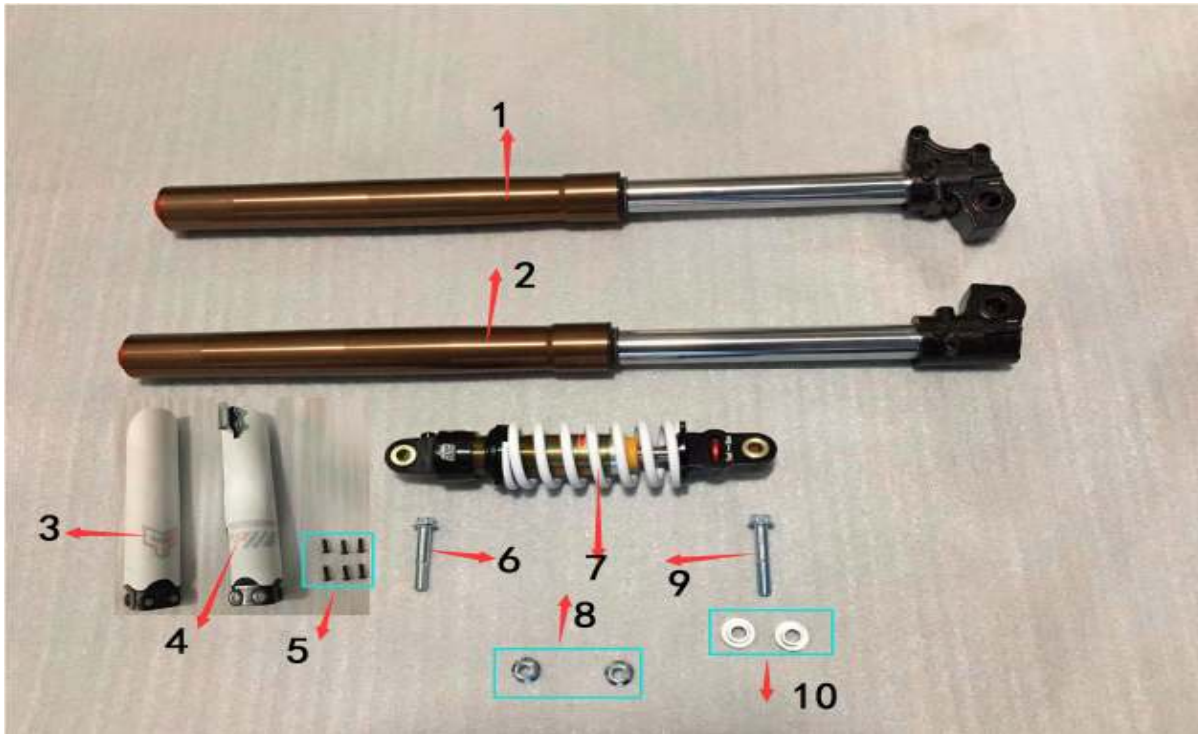
| 序号Sr.No | 件号 | 英文名称 | 中文名称 | 备注 |
|---------|------------|---------------------|---------------------|----|
| | Part No. | English Description | Chinese Description | |
| 1 | FSE110-A-1 | Exhaust pipe | 排气管组件 | |
| 2 | FSE110-A-2 | Bolts | 内六角圆柱头螺栓M8X30 | |
| 3 | FSE110-A-3 | Nuts | 法兰尼龙自锁螺母M8 | |
| 4 | FSE110-A-4 | Gasket | 消音器密封垫 | |
| 5 | FSE110-A-5 | Nuts | 高帽螺母M6X21 | |
| 6 | FSE110-A-6 | Muffler | 消音器组件 | |

Figure B: Steering handle assembly, etc (图B: 方向把总成等)



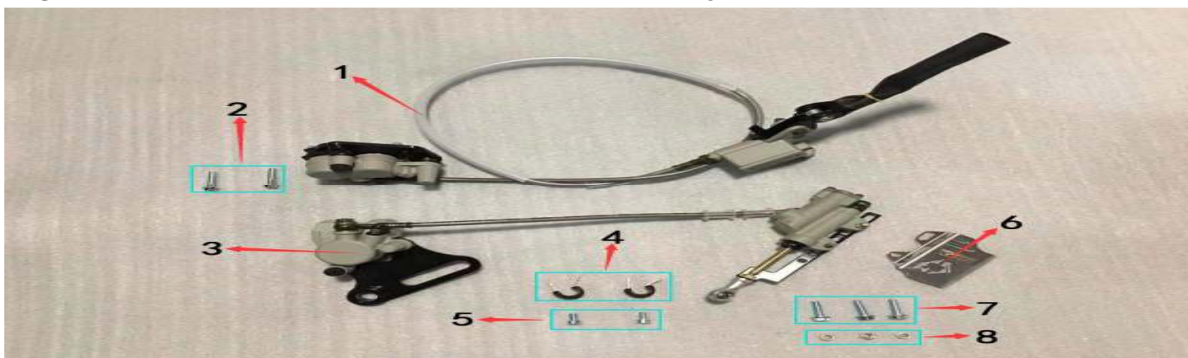
| 序号Sr.No | 件号 | 英文名称 | 中文名称 | 备注 |
|---------|------------|---------------------|---------------------|----|
| | Part No. | English Description | Chinese Description | |
| 1 | FSE110-B-1 | Handle bar | 方向把 | |
| 2 | FSE110-B-2 | Left handle grip | 左把套 | |
| 3 | FSE110-B-3 | Bar pad | 护胸 | |
| 4 | FSE110-B-4 | Rubber strap | 橡胶绑带 | |
| 5 | FSE110-B-5 | Right handle grip | 右把套 | |
| 6 | FSE110-B-6 | Throttle | 油门转把总成 | |
| 7 | FSE110-B-7 | Bar pad sticker | 护胸皮 | |

Figure C: Front shock absorption and rear shock absorption components, etc (图C: 前减、后减组件等)



| 序号Sr.No | 件号 | 英文名称 | 中文名称 | 备注 |
|---------|-------------|------------------------|-------------------------------|----|
| | Part No. | English Description | Chinese Description | |
| 1 | FSE110-C-1 | Left front fork | 左前减震组件 | |
| 2 | FSE110-C-2 | Right front fork | 右前减震组件 | |
| 3 | FSE110-C-3 | Right front fork guard | 右前减护板 | |
| 4 | FSE110-C-4 | Left front fork guard | 左前减护板 | |
| 5 | FSE110-C-5 | Bolts | 内六角平圆头螺栓M6X16 | |
| 6 | FSE110-C-6 | Bolts | 六角法兰螺栓M10X55 | |
| 7 | FSE110-C-7 | Rear shock | 后减震组件 | |
| 8 | FSE110-C-8 | Nuts | 法兰尼龙自锁螺母M10 | |
| 9 | FSE110-C-9 | Bolts | 六角法兰螺栓M10X60 | |
| 10 | FSE110-C-10 | Spacer | 台阶隔套 $\phi 10 * \phi 25 * 10$ | |

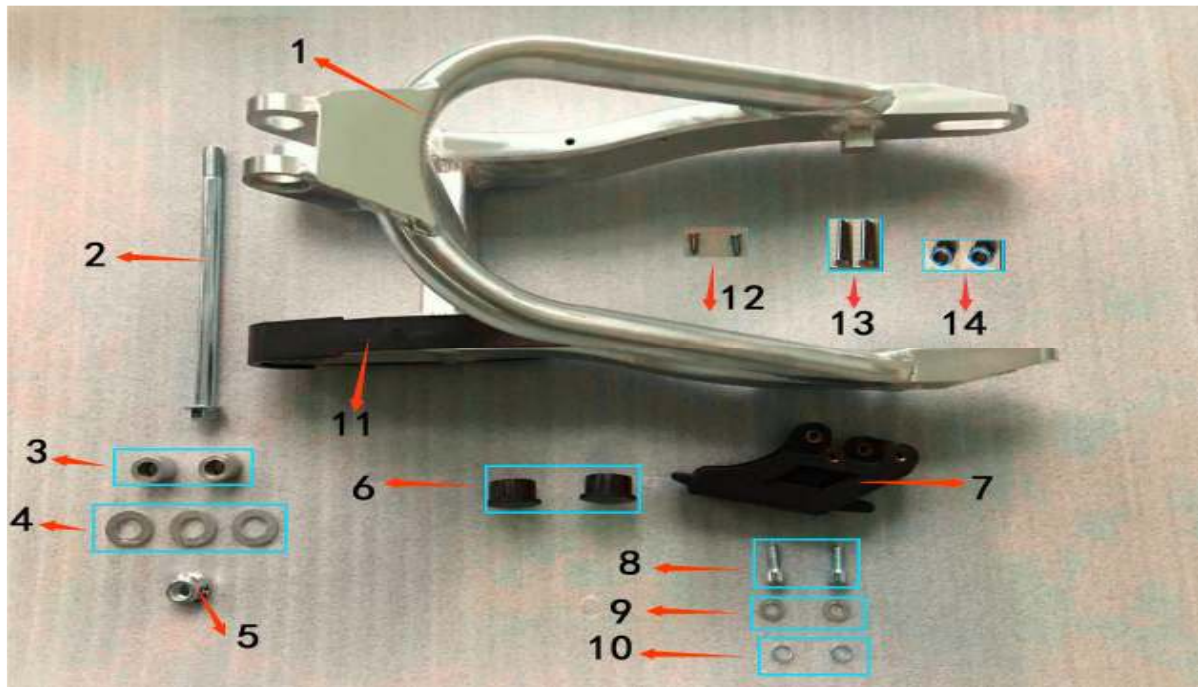
Figure D: Front and rear disc brake pump assembly, etc (图D: 前后碟刹泵组件)



| 序号Sr.No | 件号 | 英文名称 | 中文名称 | 备注 |
|---------|------------|---------------------|---------------------|----|
| | Part No. | English Description | Chinese Description | |
| 1 | FSE110-D-1 | Front brake kits | 前碟刹泵组件 | |
| 2 | FSE110-D-2 | Bolts | 六角法兰螺栓M6X35 | |
| 3 | FSE110-D-3 | Rear brake kits | 后碟刹泵组件 | |

| | | | | |
|---|------------|------------------|---------------|--|
| 4 | FSE110-D-4 | Brake line clamp | 油管夹 | |
| 5 | FSE110-D-5 | Bolts | 内六角圆柱头螺栓M6X12 | |
| 6 | FSE110-D-6 | Brake pump cover | 后碟刹上泵护板 | |
| 7 | FSE110-D-7 | Bolts | 六角法兰螺栓M6X25 | |
| 8 | FSE110-D-8 | Nuts | 六角尼龙自锁螺母M6 | |

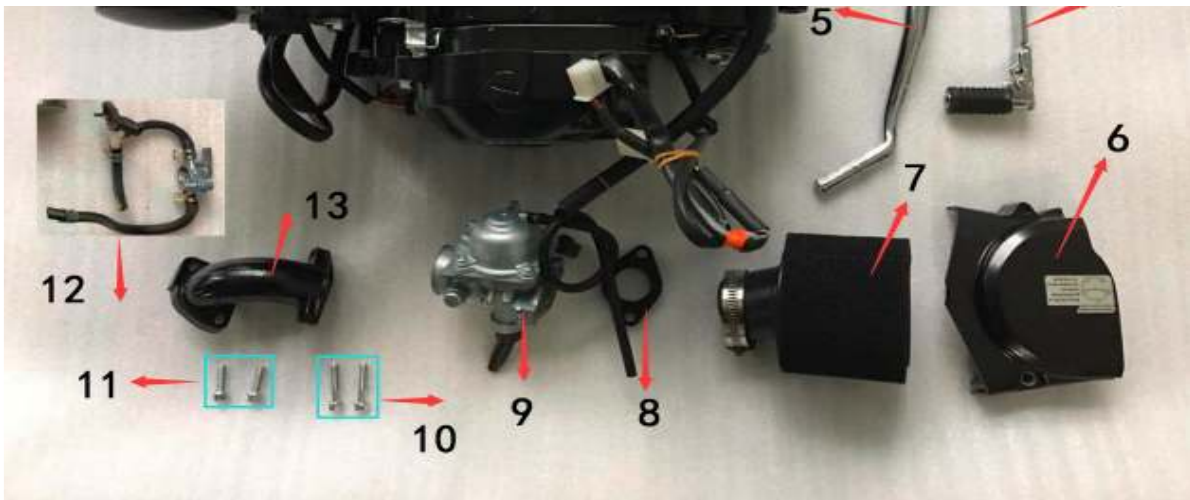
Figure E: rear fork components, brake components, etc. (图E: 后叉组件、导链组件等)



| 序号Sr.No | 件号 | 英文名称 | 中文名称 | 备注 |
|---------|-------------|---------------------|-----------------------------|------|
| | Part No. | English Description | Chinese Description | |
| 1 | FSE110-E-1 | Rear swingarm kits | 后平叉组件 | |
| 2 | FSE110-E-2 | Swingarm axle | 平叉轴M12X220 | |
| 3 | FSE110-E-3 | Spacer | 隔套 $\phi 12 * \phi 21 * 16$ | |
| 4 | FSE110-E-4 | Flat washer | 平垫 $\phi 12$ | |
| 5 | FSE110-E-5 | Nuts | 六角尼龙自锁螺母M12 | |
| 6 | FSE110-E-6 | Cover | 管塞 | |
| 7 | FSE110-E-7 | Chian guard | 挡链器 | |
| 8 | FSE110-E-8 | Bolts | 内六角圆柱头螺栓M6X12 | |
| 9 | FSE110-E-9 | Flat washer | 平垫 $\phi 8$ | |
| 10 | FSE110-E-10 | Lock washer | 弹垫 $\phi 8$ | |
| 11 | FSE110-E-11 | Chain slider | 导链套 | |
| 12 | FSE110-E-12 | Bolts | 十字槽沉头螺钉M6X10 | |
| 13 | FSE110-E-13 | Bolts | 外六角螺栓M8X45 | 调链螺栓 |
| 14 | FSE110-E-14 | Nuts | 六角螺母M8 | 调链螺母 |

Figure F: engine, starting lever, shift lever, etc. (图F: 发动机及其附件等)





| 序号Sr.No | 件号 | 英文名称 | 中文名称 | 备注 NOTE |
|---------|-------------|-----------------------|---------------------|------------|
| | Part No. | English Description | Chinese Description | |
| 1 | FSE110-F-1 | Engine kits | 发动机组件 | |
| 2 | FSE110-F-2 | Clutch cable | 离合线 | |
| 3 | FSE110-F-3 | Throttle cable | 油门线 | |
| 4 | FSE110-F-4 | Shift lever | 变档杆 | |
| 5 | FSE110-F-5 | Start lever | 启动杆 | |
| 6 | FSE110-F-6 | Engine cover | 发动机边盖 | |
| 7 | FSE110-F-7 | Air filter | 空滤器 | |
| 8 | FSE110-F-8 | Gasket | 密封垫 | |
| 9 | FSE110-F-9 | Carb kits | 化油器总成 | |
| 10 | FSE110-F-10 | Bolts | 六角法兰螺栓M6X28 | |
| 11 | FSE110-F-11 | Bolts | 六角法兰螺栓M6X21 | |
| 12 | FSE110-F-12 | Fuel tank switch kits | 油箱开关总成 | |
| 13 | FSE110-F-13 | Intake pipe | 进气管 | |

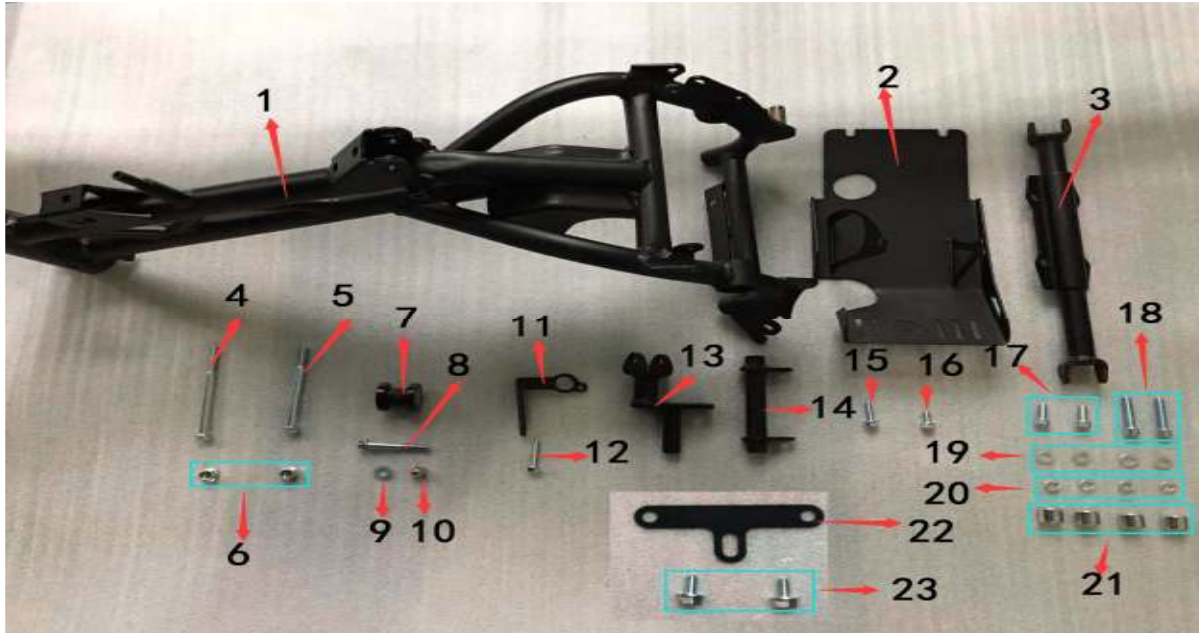
Figure G: the cushion, oil tank, tubing, etc. (图G: 坐垫、油箱组件等)



| 序号Sr.No | 件号 | 英文名称 | 中文名称 | 备注 NOTE |
|---------|------------|---------------------|---------------------|------------|
| | Part No. | English Description | Chinese Description | |
| 1 | FSE110-G-1 | Fuel tank cap | 油箱盖 | |
| 2 | FSE110-G-2 | Fuel tank | 油箱 | |
| 3 | FSE110-G-3 | Rubber gasket | 坐垫缓冲垫 | |
| 4 | FSE110-G-4 | Seat | 鞍座总成 | |
| 5 | FSE110-G-5 | Gasket | 橡胶垫 | |

| | | | |
|---|------------|--------|---------------|
| 6 | FSE110-G-6 | Bolts | 内六角平圆头螺栓M6X45 |
| 7 | FSE110-G-7 | Spacer | T形套 |
| 8 | FSE110-G-8 | Nuts | 六角法兰螺母M6 |
| 9 | FSE110-G-9 | Nuts | 法兰尼龙自锁螺母M8 |

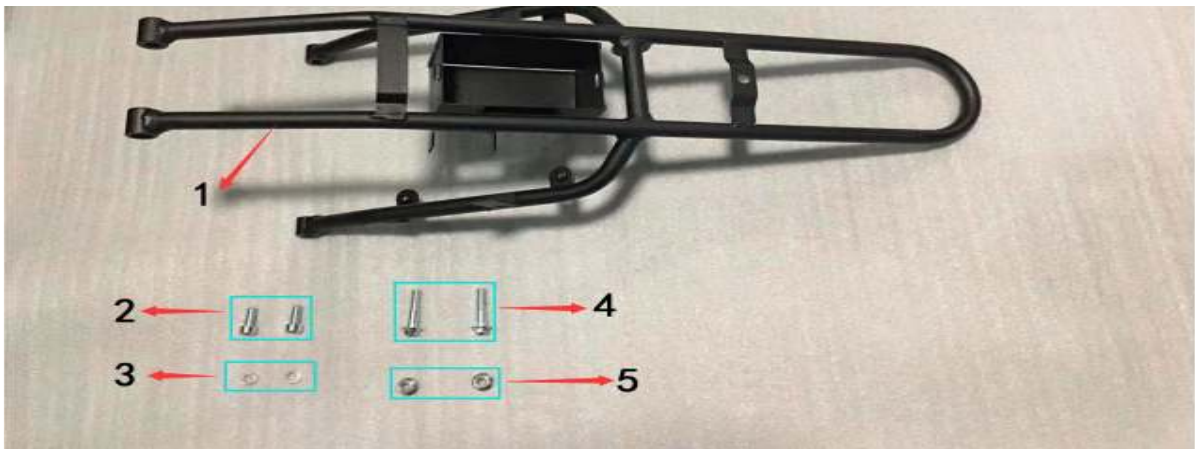
Figure H: oil tank, tubing, oil level sensor, etc. (图H:车架组件、发动机托盘等)



| 序号Sr.No | 件号 | 英文名称 | 中文名称 | 备注 |
|---------|-------------|----------------------|-----------------------------|----|
| | Part No. | English Description | Chinese Description | |
| 1 | FSE110-H-1 | Frame kits | 车架组件 | |
| 2 | FSE110-H-2 | Engine plate | 发动机托盘 | |
| 3 | FSE110-H-3 | Footpeg kits | 脚踏组件 | |
| 4 | FSE110-H-4 | Bolts | 六角法兰螺栓M8X105 | |
| 5 | FSE110-H-5 | Bolts | 六角法兰螺栓M8X115 | |
| 6 | FSE110-H-6 | Nuts | 法兰尼龙自锁螺母M8 | |
| 7 | FSE110-H-7 | Chain roller | 导链轮 | |
| 8 | FSE110-H-8 | Bolts | 六角法兰螺栓M8X55 | |
| 9 | FSE110-H-9 | Spacer | 隔套 $\phi 8 * \phi 16 * 3.5$ | |
| 10 | FSE110-H-10 | Nuts | 球头螺母M8 | |
| 11 | FSE110-H-11 | Key switch bracket | 电门锁支架 | |
| 12 | FSE110-H-12 | Bolts | 六角法兰螺栓M6X35 | |
| 13 | FSE110-H-13 | Footpeg bracket | 脚踏支架 | |
| 14 | FSE110-H-14 | Bracket | 车架组件1 | |
| 15 | FSE110-H-15 | Bolts | 六角法兰螺栓M8X26 | |
| 16 | FSE110-H-16 | Bolts | 六角法兰螺栓M8X16 | |
| 17 | FSE110-H-17 | Bolts | 内六角圆柱头螺栓M8X20 | |
| 18 | FSE110-H-18 | Bolts | 内六角圆柱头螺栓M8X40 | |
| 19 | FSE110-H-19 | Lock washer | 弹垫 $\phi 8$ | |
| 20 | FSE110-H-20 | Flat washer | 平垫 $\phi 8$ | |
| 21 | FSE110-H-21 | Spacer | 隔套 $\phi 8 * \phi 20 * 16$ | |
| 22 | FSE110-H-22 | Number plate bracket | 面板支架 | |
| 23 | FSE110-H-23 | Bolts | 六角法兰螺栓M6X16 | |

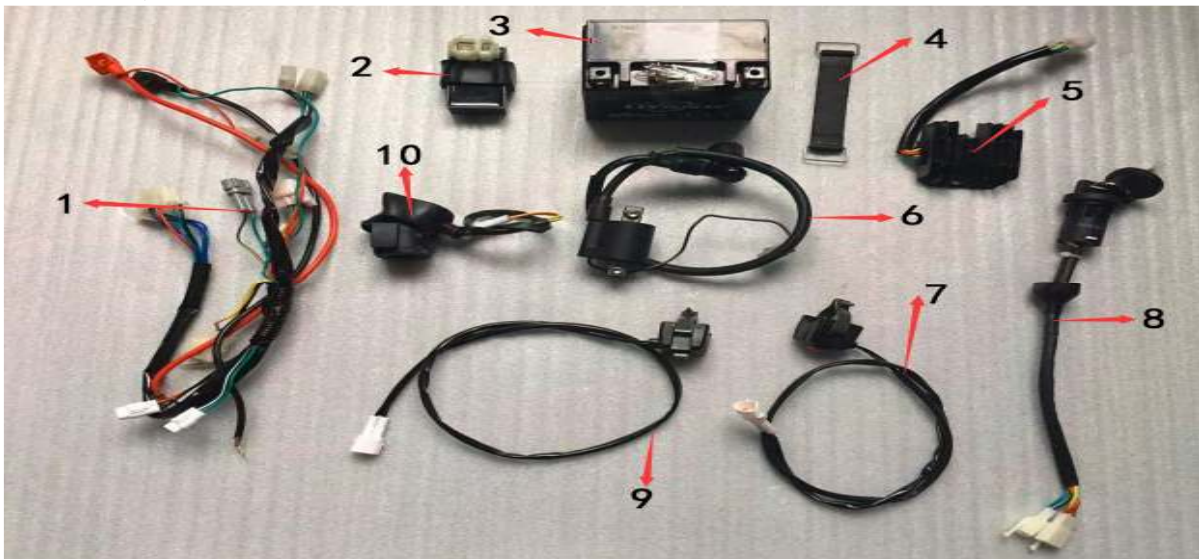
Figure I: frame, decorative strip, applique, etc (图I:后浮梁组件等)





| 序号Sr.No | 件号 | 英文名称 | 中文名称 | 备注 |
|---------|------------|---------------------|---------------------|----|
| | Part No. | English Description | Chinese Description | |
| 1 | FSE110-I-1 | Rear sub-frame kits | 后浮梁组件 | |
| 2 | FSE110-I-2 | Bolts | 内六角圆柱头螺栓M8X20 | |
| 3 | FSE110-I-3 | Lock washer | 弹垫 ϕ 8 | |
| 4 | FSE110-I-4 | Bolts | 六角法兰螺栓M8X40 | |
| 5 | FSE110-I-5 | Nuts | 法兰尼龙自锁螺母M8 | |

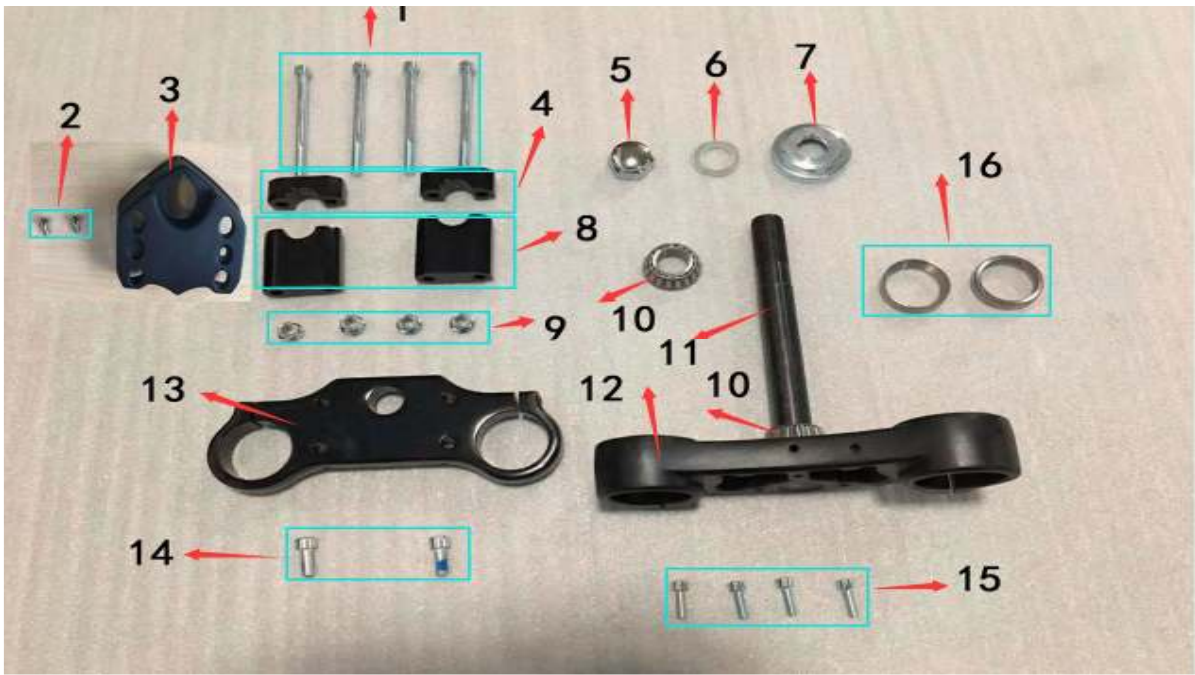
Figure J: battery, electrical appliances, trumpets, wires, etc. (图J: 蓄电池, 电器件, 开关、电门锁等)



| 序号Sr.No | 件号 | rectifier | 中文名称 | 备注 |
|---------|-------------|---------------------|---------------------|----|
| | Part No. | English Description | Chinese Description | |
| 1 | FSE110-J-1 | Wire | 主线缆 | |
| 2 | FSE110-J-2 | CDI | 点火器 | |
| 3 | FSE110-J-3 | Battery | 电池 | |
| 4 | FSE110-J-4 | Battery pull | 电池拉带 | |
| 5 | FSE110-J-5 | Rectifier | 整流器 | |
| 6 | FSE110-J-6 | Ignition coil | 高压包 | |
| 7 | FSE110-J-7 | Kill switch | 熄火开关总成 | |
| 8 | FSE110-J-8 | Key switch | 电门锁 | |
| 9 | FSE110-J-9 | Start switch | 启动开关总成 | |
| 10 | FSE110-J-10 | Relay | 继电器 | |

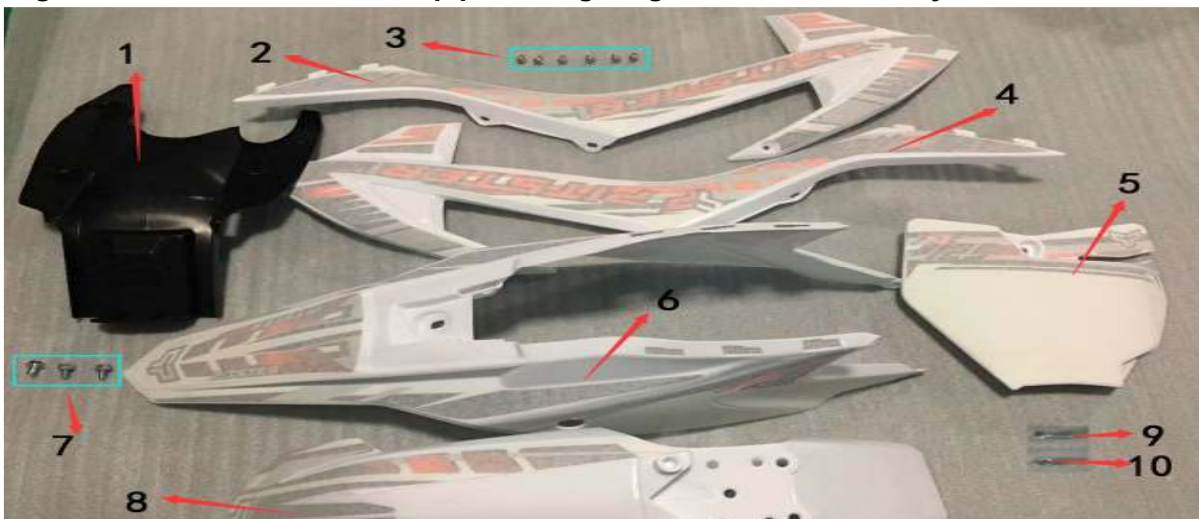
Figure K: shock, lower plate component, reflection lens, etc (图K: 联板总成等)





| 序号Sr.No | 件号 | 英文名称 | 中文名称 | 备注 |
|---------|-------------|---------------------|---------------------|----|
| | Part No. | English Description | Chinese Description | |
| 1 | FSE110-K-1 | Bolts | 内六角圆柱头螺栓M8X105 | |
| 2 | FSE110-K-2 | Bolts | 内六角平圆头螺栓M6X8 | |
| 3 | FSE110-K-3 | Key switch beacket | 电门锁支架座 | |
| 4 | FSE110-K-4 | Top bar clamp | 上压块 | |
| 5 | FSE110-K-5 | Nut | 盖母 | |
| 6 | FSE110-K-6 | Flat washer | 大平垫 $\phi 22$ | |
| 7 | FSE110-K-7 | Lock | 锁母 | |
| 8 | FSE110-K-8 | Bottom bar clamp | 下压块 | |
| 9 | FSE110-K-9 | Nuts | 法兰尼龙自锁螺母M8 | |
| 10 | FSE110-K-10 | Needle bearing | 滚针轴承 | |
| 11 | FSE110-K-11 | Steering | 方向柱 | |
| 12 | FSE110-K-12 | Bottom clamp | 下联板 | |
| 13 | FSE110-K-13 | Top clamp | 上联板 | |
| 14 | FSE110-K-14 | Bolts | 内六角圆柱头螺栓M8X20 | |
| 15 | FSE110-K-15 | Bolts | 内六角圆柱头螺栓M6X18 | |
| 16 | FSE110-K-16 | Bearing bowl | 上下钢碗 | |

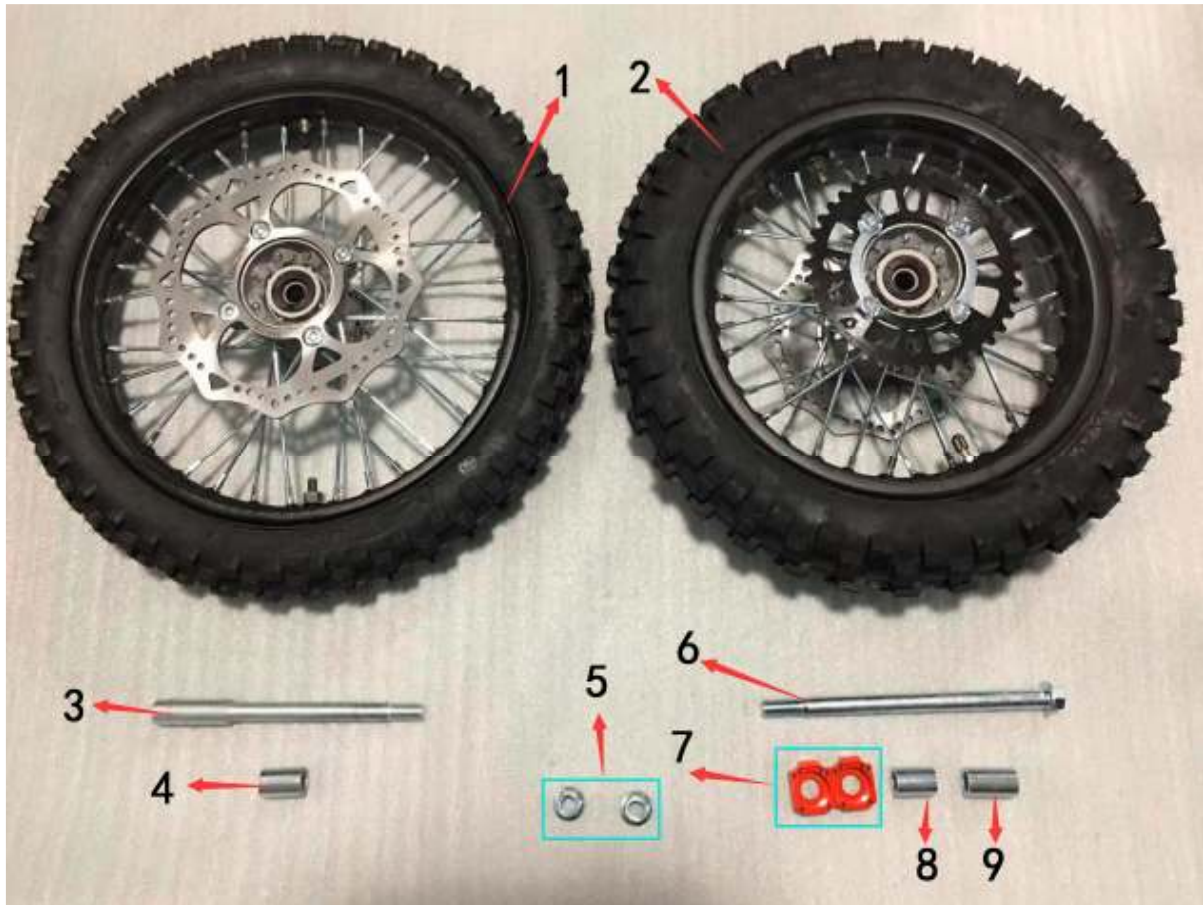
Figure L: air filter, ECU, intake pipe, voltage regulator, EFI assembly, etc (图L: 塑料件)





| 序号Sr.No | 件号 | 英文名称 | 中文名称 | 备注 |
|---------|------------|---------------------|---------------------|----|
| | Part No. | English Description | Chinese Description | |
| 1 | FSE110-L-1 | Rear mud guard | 后泥板 | |
| 2 | FSE110-L-2 | Left front plastic | 左前护板 | |
| 3 | FSE110-L-3 | bolts | 内六角平圆头螺栓M6X10 | |
| 4 | FSE110-L-4 | Right front plastic | 右前护板 | |
| 5 | FSE110-L-5 | Number plate | 前面板 | |
| 6 | FSE110-L-6 | Rear frnder | 后尾护板 | |
| 7 | FSE110-L-7 | Bolts | 六角法兰螺栓M6X12 | |
| 8 | FSE110-L-8 | Front fender | 前泥板 | |
| 9 | FSE110-L-9 | Bolts | 六角法兰螺栓M6X12 | |
| 10 | FSE110-L-9 | Nuts | 六角法兰螺母M6 | |

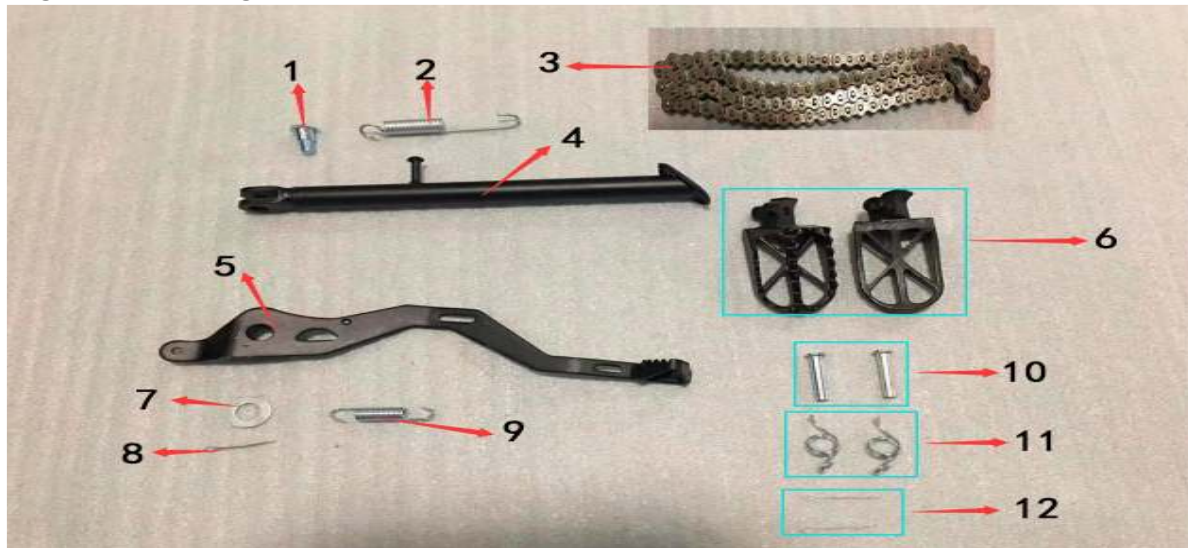
Figure N: front tires, rims, front drum brake, front disc brake etc. (图N: 前后轮辋总成等)



| 序号Sr.No | 件号 | 英文名称 | 中文名称 | 备注 |
|---------|------------|-----------------------|---------------------|----|
| | Part No. | English Description | Chinese Description | |
| 1 | FSE110-N-1 | Front wheels assembly | 前轮辋总成 | |
| 2 | FSE110-N-2 | Rear wheels assembly | 后轮辋总成 | |
| 3 | FSE110-N-3 | Front wheels axles | 前轮轴M15X215 | |
| 4 | FSE110-N-4 | axle Spacer | 前轮轴套15.2*22*33 | |
| 5 | FSE110-N-5 | Nuts | 法兰尼龙自锁螺母M15 | |
| 6 | FSE110-N-6 | Rear wheel axles | 后轮轴M15X225 | |
| 7 | FSE110-N-7 | Chain adjuster | 调链块 | |

| | | | |
|---|------------|-------------|----------------|
| 8 | FSE110-N-8 | axle Spacer | 后轮轴套15.2*22*31 |
| 9 | FSE110-N-9 | axle Spacer | 后轮轴套15.2*22*38 |

Figure O: footpegs (图O: 脚踏、三角撑组件)



| 序号Sr.No | 件号 | 英文名称 | 中文名称 | 备注 NOTE |
|---------|-------------|---------------------|---------------------|------------|
| | Part No. | English Description | Chinese Description | |
| 1 | FSE110-O-1 | Bolts | 外六角台阶螺栓M10X25 | |
| 2 | FSE110-O-2 | Kick stand spring | 单撑弹簧 | |
| 3 | FSE110-O-3 | Chian | 链条 | |
| 4 | FSE110-O-4 | Kick stand | 单撑 | |
| 5 | FSE110-O-5 | Brake pedal | 刹车踏板 | |
| 6 | FSE110-O-6 | Footpeg | 左右脚踏 | |
| 7 | FSE110-O-7 | Flat washer | 大平垫φ15 | |
| 8 | FSE110-O-8 | cotter pin | 开口销 φ 3*30mm | |
| 9 | FSE110-O-9 | Brake spring | 刹车回位簧 | |
| 10 | FSE110-O-10 | Plug pin | 平头插销 φ 8*42mm | |
| 11 | FSE110-O-11 | Footpeg spring | 脚踏弹簧 | |
| 12 | FSE110-O-12 | cotter pin | 开口销 φ 3*30mm | |

1

三、线

牛等)

|

|

5)